



E70 Series Speakers and Strobes



Description:

The E70 Series E Low Profile Speakers and Speaker Strobes are designed for high efficiency sound output, with dual voltage (25/70 VRMS) capability and field selectable taps from 1/8 to 2 watts. The low profile design incorporates a speaker mounting plate for faster and easier installation. Each model has a built-in level adjustment feature and an aesthetic two (2) screw grille cover.

The Series E Speaker Strobe models incorporate the Low Current draw Series RSS Strobes.

Construction/Design:

Series E Speakers and Speaker Strobes provide high audio output with clear audibility and are designed to meet the critical needs of the life safety industry for effective emergency voice communications, tone signaling and visible signaling to alert the hearing impaired.

The strobe portion of all Series E Speaker Strobes may be synchronized when used in conjunction with the SM, DSM Sync Modules or PS-24-8MC power supply with Patented Sync Protocol. Wheelock synchronized strobes offer an easy way to comply with ADA recommendations concerning photosensitive epilepsy.

Series E Speaker Strobes are UL Listed for indoor use under Standard 1971 (Signaling Devices for the Hearing-Impaired) and Standard 1480 (Speaker Appliances), and use a Xenon flashtube with solid state circuitry enclosed in a rugged Lexan® lens to provide maximum reliability for effective visual signaling. All inputs are supervised and employ IN/OUT wiring terminals for fast installation using #12 to #18 AWG wiring.

Color options for the Series E Speakers and Speaker Strobes are red, white and nickel plated.



Series E70
Strobe



Series E90
Strobe

Features:

- Approvals include: UL Standard 1971 and 1480 (UL), New York City (MEA), California State Fire Marshall (CSFM), Factory Mutual (FM) and Chicago (BFP)
- ADA/NFPA/ANSI compliant
- Wall mount models are available with Field Selectable Candela Settings of 15/30/75/110cd or 135/185cd (Multi Candela models), or 1575cd (Single Candela model)
- Ceiling mount models are available with field selectable candela settings of 15/30/75/95cd or 115/177cd (Multi candela models)
- Field selectable taps for 25 or 70 VRMS operation from 1/8 watt up to 2 watts
- Strobes produce 1 flash per second over the regulated voltage range
- 24 VDC with wide UL "Regulated Voltage" using filtered DC or unfiltered VRMS input voltage

King-Fisher Company, inc.

2350 Foster Ave. Wheeling, IL. 60090— 6574

Phone (847)398-7100 Fax (847)255-1507

Phone (888)687-5324(US) Fax (877)687-5324(US)

E-MAIL: sales@kfc.us

WEBSITE: www.kfc.com

Specifications:

Operating Voltage:	16 to 33 VDC
Sound Output:	87dB at 10 feet
Frequency Response:	400 to 4000 Hz
Wiring Inputs:	3#12 to #18 AWG wire sizes
Field Selectable Input:	25 or 70 VRMS
Temperature Range:	32°F to 120°F (0° to 49°C)



**Series E90
Speaker**



**Series E70
Speaker**

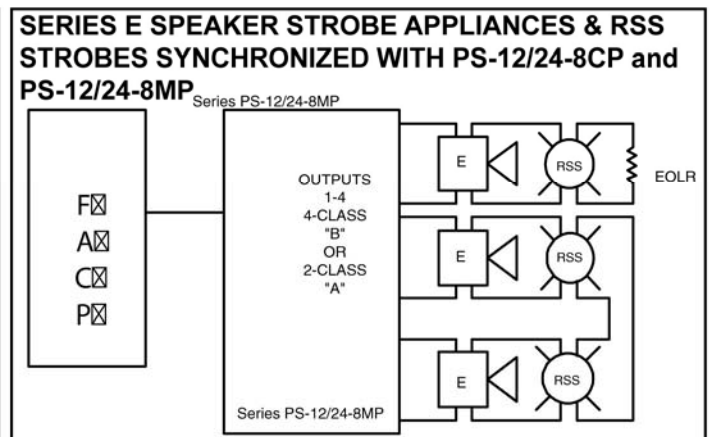
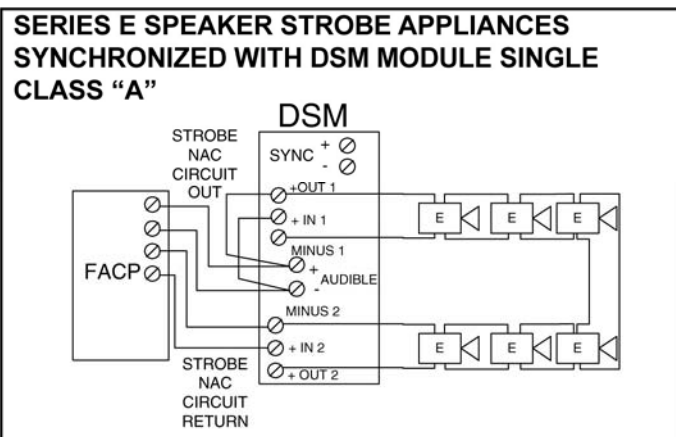
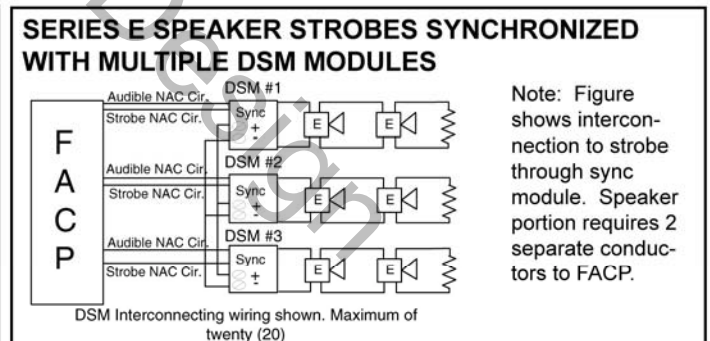
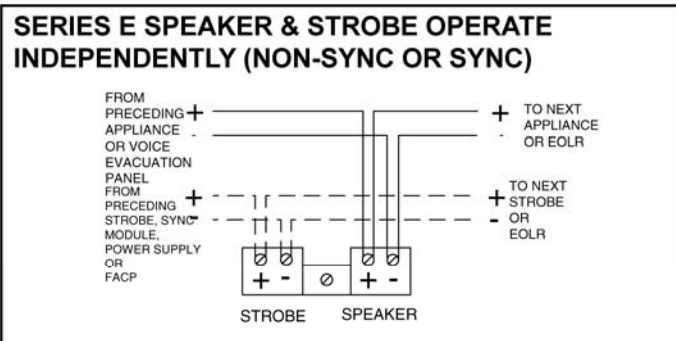
Ordering Information:

Model No.	Description
E70	Need Description
E90	Need Description

Information Data Sheet

SE70SERIES Specification Data Sheet

Wiring Diagrams



Specification sheets are provided for information only and are believed to be accurate. However, no responsibility is assumed by King-Fisher Company inc., for their use. Information subject to change without notice.