



**S T A R**  
**System Transmitter**  
**Addressable**  
**Repeater**



**Description:**

The STAR Radio Fire Alarm is a self-contained Auxiliary Signaling Device that responds to contact closures from standard fire panels, emergency switch devices, supervisory switch devices and auxiliary switch devices to generate an alarm message in a standard King-Fisher KFRA-C receiving processing unit format and transmits that message by radio. The STAR is contained in a NEMA-1 cabinet and derives power from a 120VAC circuit.



**S T A R**

**Operation:**

There are two basic units that make up the STAR subsystem. An Interface circuit controls the power subsystem and monitors up to six Class B monitored inputs. It applies debounce logic to signals on these inputs to prevent responding to external noise, such as that due to lightning strikes in the area. When an alarm is warranted, the interface triggers the radio transmitter control circuitry to initiate the transmission of the alarm message.

The radio circuitry monitors input signals and builds an alarm message that it transmits on a preselected VHF radio frequency channel. Several alarm message formats that conform to an existing King-Fisher messaging standard can be selected. Message format specifics are selected by the alarm technician using a laptop computer.

**Features:**

- **Frequency and Call Box Number Can Be Easily Programmed By A Laptop Computer**
- **Can Transmit Emergency Response Signals Such As Fire, Medical, Supervisory, Police, ETC.**
- **STAR can be connected to Standard Fire Panels and City Master Boxes**
- **FM Approved**
- **Meets and Exceeds NFPA 72 and 1221**
- **F.C.C. Type Accepted**
- **NEMA-1 Cabinet (Indoor Use Only)**
- **Automatic Self-Testing**

***King-Fisher Company, inc.***

2350 Foster Ave. Wheeling, Il. 60090— 6574

Phone (847)398-7100 Fax (847)255-1507

Phone (888)687-5324(US) Fax (877)687-5324(US)

E-MAIL: sales@kfc.us

WEBSITE: www.kfc.com

## Specifications:

### Alarm Interface:

Monitored Dry Contact Inputs: 6  
 Monitored Local Energy Input: 1  
 Input Termination Resistance: 10 kΩ  
 Dry Contact Trouble Output: 1

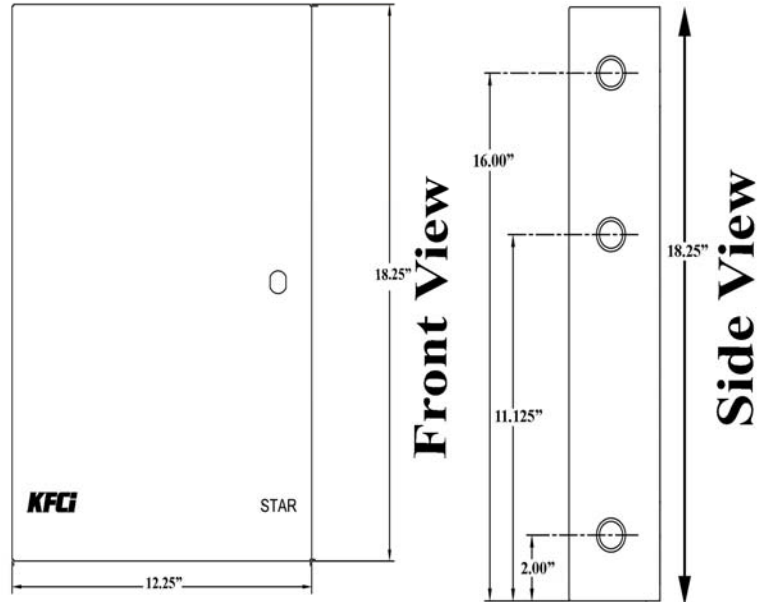
### Power Sources:

AC Voltage Range: 80-135 VAC  
 AC Frequency: 50-60 Hz  
 Backup Battery Voltage: 12.6 V nominal  
 Backup Battery Capacity: 2.5 A-Hr

### Radio:

Frequency Range: 70MHz -170MHz  
 Modulation: AM  
 Power Source: 12-15 VDC

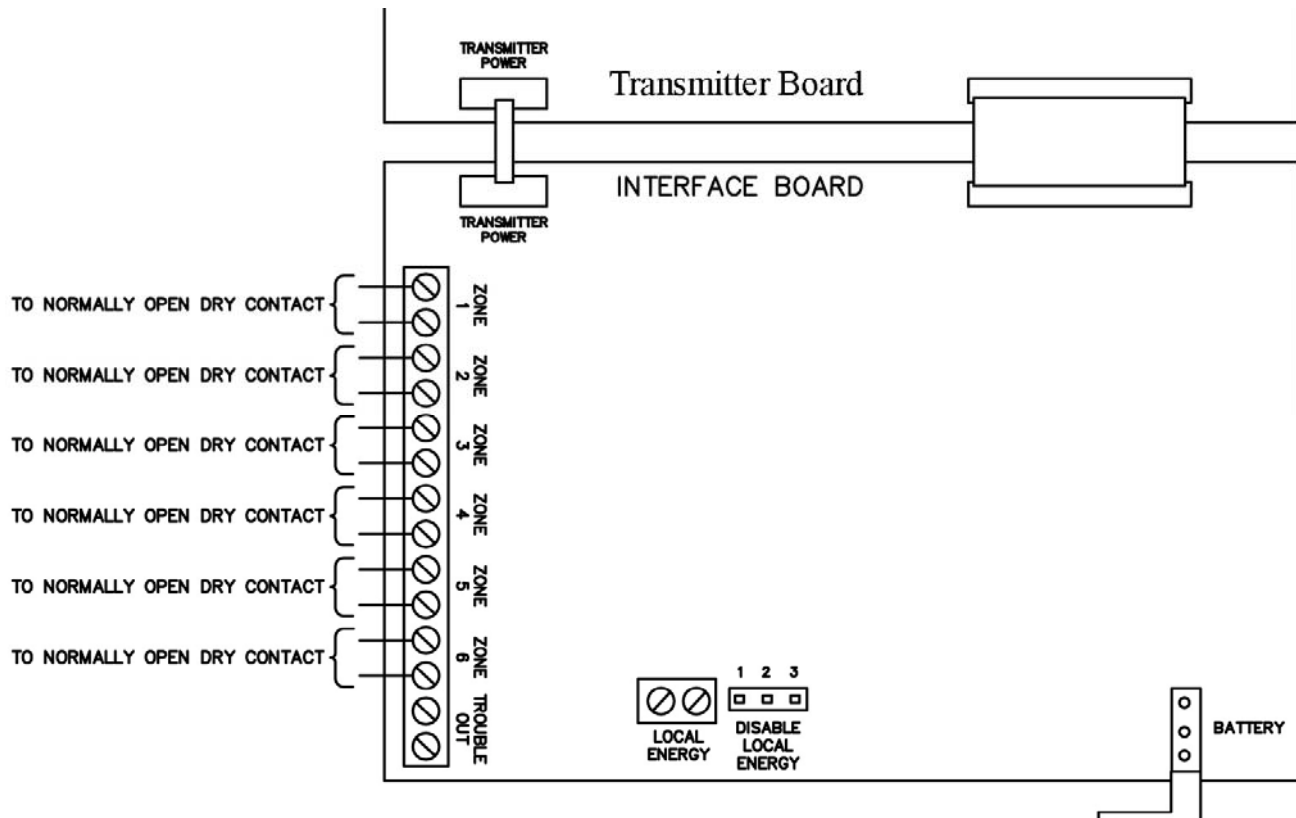
## Mounting Dimensions:



## Ordering Information:

Model No.	Description
STAR	Indoor Radio Transmitter
SSTAR	Specification Data Sheet

## Wiring Diagram



Specifications are provided for information only and are believed to be accurate. However, no responsibility is assumed by King-Fisher Company inc., for their use.  
 Specifications subject to change without notice.