

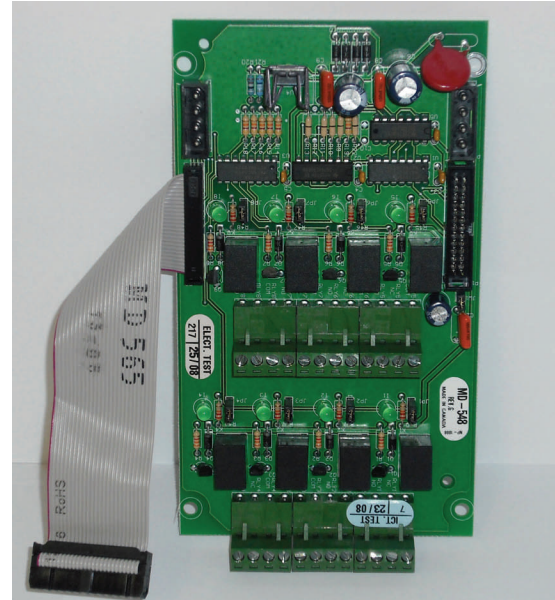


## RM-1008A 8 Relay Adder Module

### Description:

#### RM-1008A Eight Relay Circuit Module

The RM-1008A provides the FX-2000 with 8 individual configurable relays per module. Each relay provides one Form C contact rated at 28 VDC @1 Amp (resistive load). The RM-1008A occupies one module slot in the FX-2000 main or expander chassis.



RM-1008A

### Operation:

The RM-1008A Relay Adder Module comes with removable terminal blocks for easy wiring and servicing. Each relay has a built-on status LED. The module connects via cable to the board on the main or expander chassis. The RM-1008A also mounts in the FX-2000 main and expander chassis.

### Features:

- Provides eight individual configurable relays per module.
- Occupies one module slot in the FX2000 Series Fire Panel main or expander chassis.
- Comes with removable terminal blocks for easy wiring and service
- Easy to install
- Each relay has a built-on status LED

### *King-Fisher Company, inc.*

2350 Foster Ave. Wheeling, Il. 60090— 6574  
Phone (847)398-7100 Fax (847)255-1507  
Phone (888)687-5324(US) Fax (877)687-5324(US)  
E-MAIL: [sales@kfco.com](mailto:sales@kfco.com)  
WEBSITE: [www.kfci.us](http://www.kfci.us)

## Specifications:

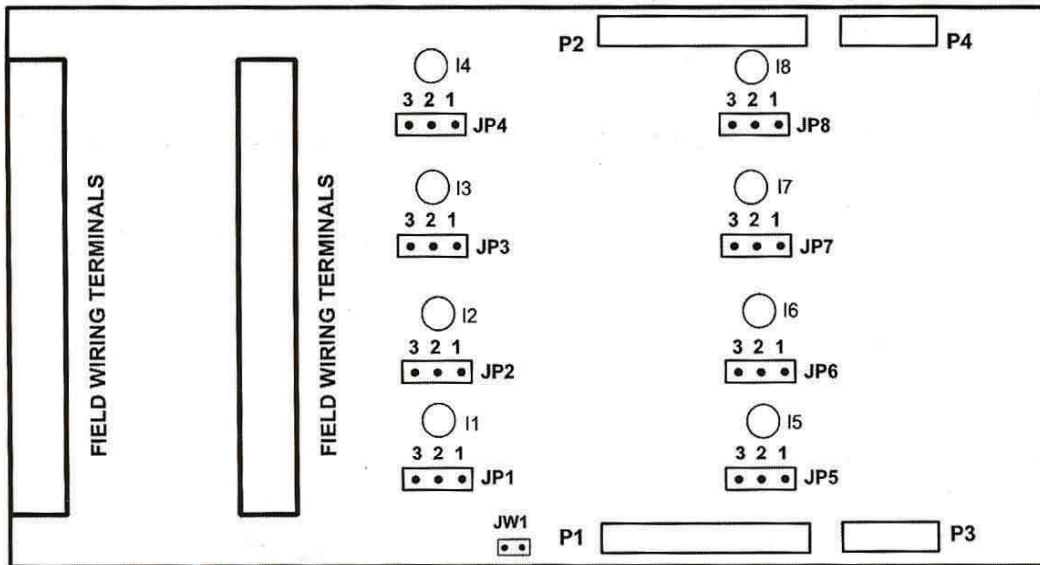
<b>Normal Operating Current:</b>	Standby: .025A Alarm: .015A
<b>Resistive Load per relay:</b>	Rated for 28 VDC @ 1 Amp max.
<b>Temperature Range:</b>	0°C to 49°C (32°F to 120°F)
<b>Humidity:</b>	10% to 93% Noncondensing
<b>Weight:</b>	0.75 lbs 0.34 kg

## Ordering Information:

Model No.	Description
RM-1008A	8 Auxillary Programmable Relay Adder Module
SRM1008	Data Specification Sheet

## Terminal and Jumper Locations

RM-1008A Relay Adder Module



**P2:** Data cable goes to P5 (on the FA-1000) or to P6 (on the FX-2000) of main fire alarm module, or to FX-2000 loop controller module, or to previous adder modules.

**P1:** Data connector for next adder module.

**P4:** Power connector goes to P8 of the FX-2000 (P6 of the FA-1000) main fire alarm module, or to P2 of FX-2000 loop controller module, or to previous adder module.

**P3:** Power connector for next adder module.

**JW1:** Remove continuity jumper if there are any more adder modules installed.

**JP1-JP8:** Move jumpers from pins 1 and 2 to 2 and 3 to connect relay commons between two or more relays.

Specifications are provided for information only and are believed to be accurate. However, no responsibility is assumed by King-Fisher Company inc., for their use. Specifications subject to change without notice.