



RAX-LCD Remote Shared Display



Description:

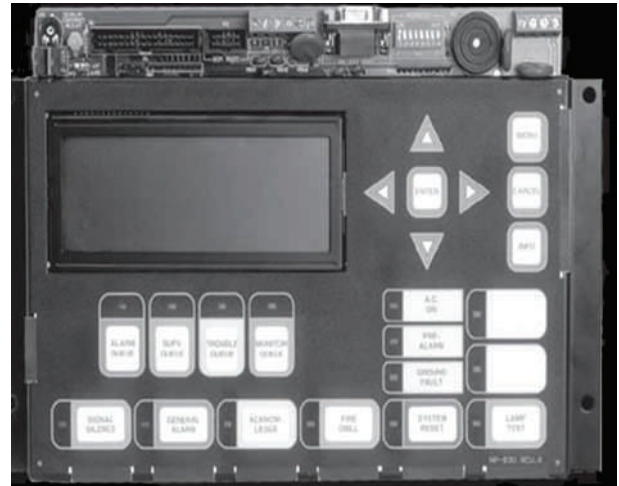
RAX-LCD Remote Shared Display:

The RAX-LCD Remote Shared Display is a remote annunciator that provides the same functions as the main display on the FX2003 panel, less 16 zone LEDs. It is equipped with a large 4 line x 20 character back-lit alphanumeric LCD display which uses a simple menu system complete with a directional keypad and switches for Enter, Menu, Cancel and Info. It also has 4 Alarm switches and LEDs as well as common control switches and LEDs for Signal Silence, Fire Drill, System Reset, Lamp Test, General Alarm and Acknowledge. The RAX-LCD can be programmed to show different points than the main panel. In addition to being a remote annunciator, the RAX-LCD can also be used as a driver module for standard LED annunciation or reduced zone annunciation (different from the main panel annunciation), graphic drivers programmed different from the main annunciators, programmable switch modules with their unique configuration and fan damper control also with their unique configuration.

Each time a different type of annunciation configuration is required or a different location is required an additional RAX-LCD will be needed. The RAX-LCD allows for the control switches to be disabled on a per function basis (via laptop configurator) for areas that do not require certain Common Control functions to be remotely located from the Fire Alarm Control Panel. The RAXLCD occupies one display position in the BB-1000 or BB-5000 enclosures.

Operation:

The FX-2000 Analog Fire Alarm Control Panel supports Programmable modules which can be connected either internally to the fire alarm panel or externally via the RAX-LCD Remote Shared Display. Connection to the RAX-LCD allows for unique configurations for a specific remote location.



RAX-LCD

Features:

- **Large 4 line X 20 character back-lit LCD display**
- **Provides the same functions as the main display of the fire alarm panel**
- **4 Alarm switches and LEDs**
- **Can be programmed to show different points than main fire panel**
- **Can be used as a driver module for standard LED annunciation**
- **LED for Signal Silence, Fire Drill, System Reset, Lamp Test, General Alarm and Acknowledge**

King-Fisher Company, inc.

2350 Foster Ave. Wheeling, Il. 60090— 6574

Phone (847)398-7100 Fax (847)255-1507

Phone (888)687-5324(US) Fax (877)687-5324(US)

E-MAIL: sales@kfco.com

WEBSITE: www.kfci.us

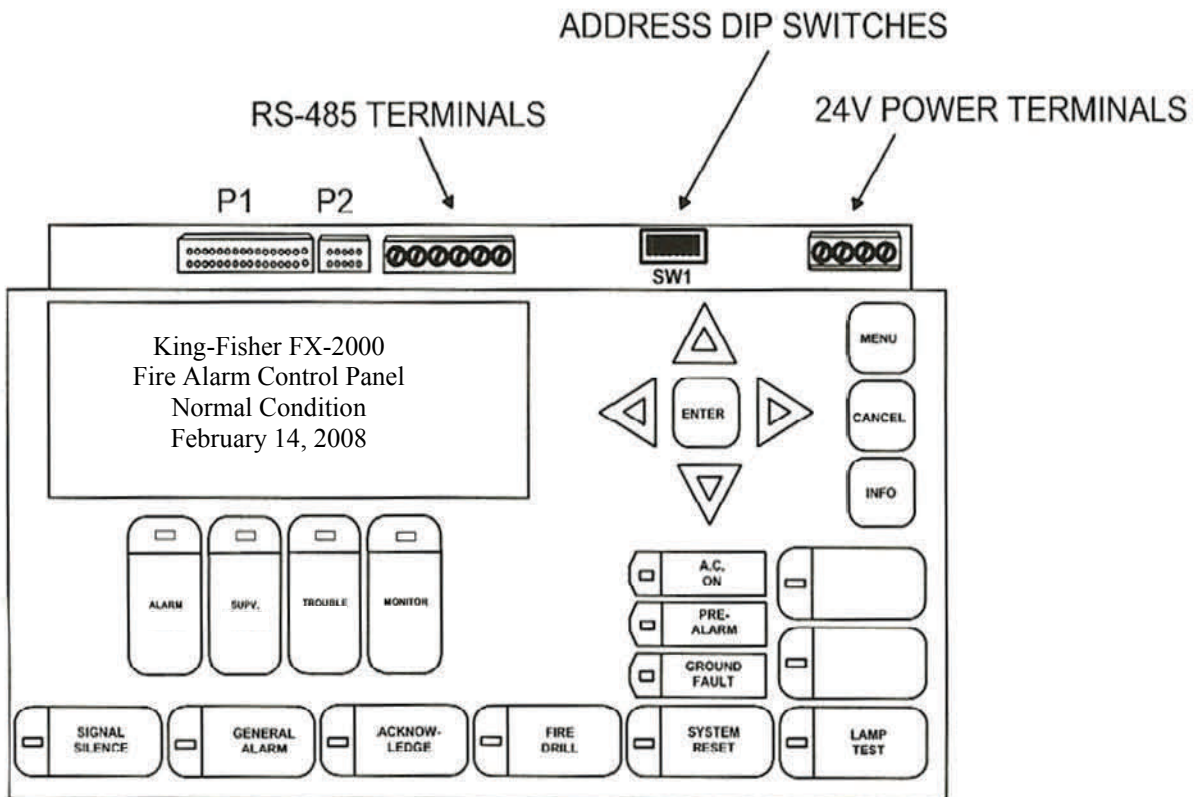
Specifications:

The FX-2000's remote shared display is the RAX-LCD. The RAX-LCD shared display provides an exact replica (less 16 zone LEDs) of the main FX2000 Fire Alarm Panel display at a remote location. It is equipped with a large 4 line x 20 character back-lit alphanumeric LCD display that uses a simple menu system. There are five types of enclosures available: the BB-1001, BB-1002, BB-1003, BB-1008, and BB-1012 which can take 1,2,3,8,12 chassis respectively. It may also be mounted in the BB-5008 and the BB-5014.

Ordering Information:

Model No.	Description
RAX-LCD	Remote Shared Display
SRAX-LCD	Specification Data Sheet

Please Note: Standard wall box for semi-flush mounting not supplied.



Specifications are provided for information only and are believed to be accurate. However, no responsibility is assumed by King-Fisher Company inc., for their use. Specifications subject to change without notice.