



**MBC/1R/211
Mini Battery Cabinet**



Description:

The **MBC/1R/211** "Battery Cabinet" is designed for the professional installation of systems requiring battery storage and meets the requirement of NFPA 72 (1-5.2.9) stand-by battery storage for battery backup.



MBC/1R/211

Operation:

The MBC/1R/211 allows for easy access and maintenance of the batteries while also assisting interference or degeneration of the battery. The unit can be mounted securely to a wall, preventing mechanical injury or damage to other equipment.

Features:

- **16 Gauge (.0598 Thick) cold rolled steel**
- **White 2" lettering "BATTERY CABINET"**
- **Green ground screw with threaded insert**
- **Formed lift-a-way hinge**
- **Red textured finish**
- **CAT 211 keyed door lock**
- **Dimensions: 17" wide x 8" high x 4" deep**
- **Six 1/2" and 3/4" EMT conduit knockouts located on both sides, top and back**

King-Fisher Company, inc.

2350 Foster Ave. Wheeling, Il. 60090— 6574

Phone (847)398-7100 Fax (847)255-1507

Phone (888)687-5324(US) Fax (877)687-5324(US)

E-MAIL: sales@kfco.com

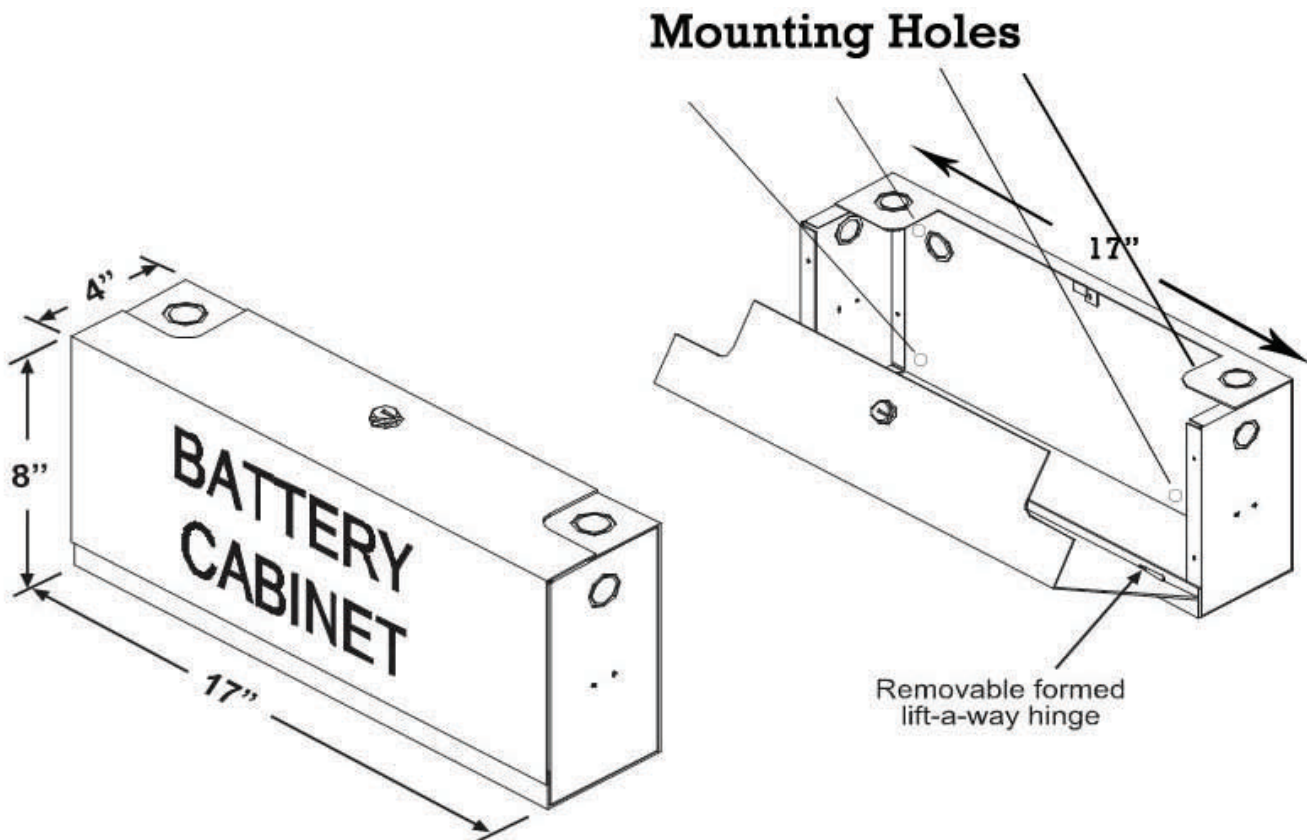
WEBSITE: www.kfci.us

Description:

The **MBC/1R/211 Mini Battery Cabinet** is constructed of 16 gauge (.0598 thick) cold rolled steel and finished with a durable red textured, heat-resistant baked-on enamel finish. The front cover is engineered with a removable formed lift-a-way hinge, displays "BATTERY CABINET" in 2" white screened lettering and includes a high security CAT 211 keyed door lock. The unit comes with a green ground screw with threaded insert. Overall dimensions measure 17" wide by 8" high by 4" deep. Six 1/2" and 3/4" EMT conduit knockouts are located on the both sides, top and back. The battery cabinet meets NFPA 72 National Electric Code requirements. Batteries and mounting hardware not included.

Ordering Information:

<u>Model No.</u>	<u>Description</u>
MBC/1R/211	MBC Mini Battery Cabinet
SMBC1R211	Data Specification Sheet



Specifications are provided for information only and are believed to be accurate. However, no responsibility is assumed by King-Fisher Company inc., for their use. Specifications subject to change without notice.