



M501M Mini Monitor Module



Description:

The Intelligent Addressable Mini Monitor Module in the FX2000 Series Fire Alarm Panel provides an address for a group of UL Listed Normally Open (N.O.) initiating devices, such as heat detectors, projected beam smoke detectors, 4-wire smoke detectors, waterflow switches, manual pull stations, etc. wired in a Class B (Style B) initiating circuit.



M501M

Operation:

The M501M monitor module can be installed in a single gang junction box directly behind the monitored unit. Its small size and light weight allow it to be installed without rigid mounting. The M501M is intended for use in intelligent, two-wire systems where the individual address of each module is selected using rotary decade switches. It provides a two-wire initiating circuit for normally open contact fire alarm.

Features:

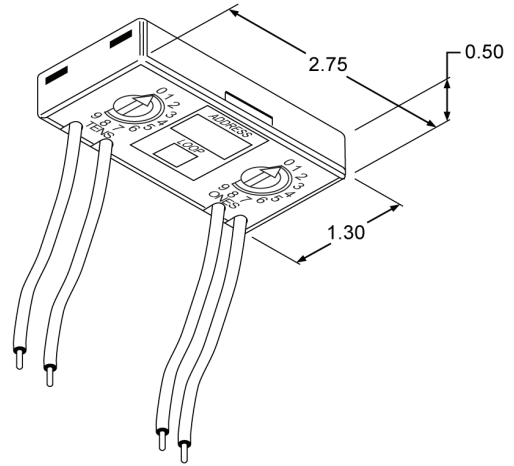
- Provides an address for a group of normally open initiating devices
- UL Listed
- Easy to mount
- Used with FX2000 Series Fire Alarm Panel
- Easy to configure/address Module

King-Fisher Company, inc.

2350 Foster Ave. Wheeling, Il. 60090— 6574
Phone (847)398-7100 Fax (847)255-1507
Phone (888)687-5324(US) Fax (877)687-5324(US)
E-MAIL: sales@kfco.com
WEBSITE: www.kfci.us

Specifications:

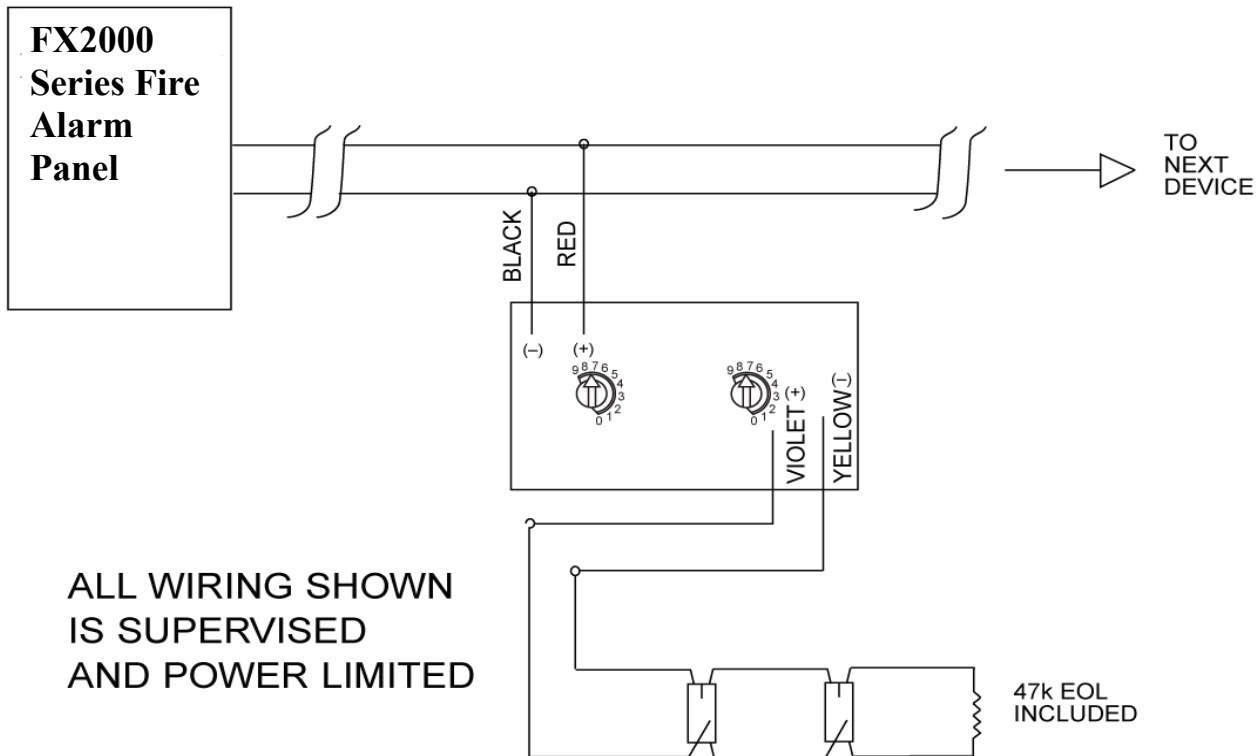
Normal Operating Voltage:	15 to 32 VDC
EOL Resistance:	47K Ohms
Max IDC wiring resistance:	40 Ohms
Temperature Range:	0°C to 49°C (32°F to 120°F)
Humidity:	10% to 93% Noncondensing
Dimensions:	1.7"H x 2.7"W x 0.5"D
Weight:	1.2 ounces



Ordering Information:

Model No.	Description
M501M	Intelligent Monitor Mini Module
SM501M	Data Specification Sheet

Typical 2-wire Class B (Style B) initiating circuit configuration:



Specifications are provided for information only and are believed to be accurate. However, no responsibility is assumed by King-Fisher Company inc., for their use. Specifications subject to change without notice.