



KFRA-C Enclosures

Description:

KFRA-C Enclosures come in (3) options that house the KFRA-C Receiver and printer. These enclosures have a clean contemporary appearance and provide the benefits of economy, style and quality.



KFRA-Enclosures

Construction/Design:

All Enclosures are fully welded cross member formed for a strong square corner design and come with two pair of adjustable zinc plated mounting angles constructed of 11 gauge steel.

Each Enclosure comes with a pontoon base which can be used for floor tie down, caster or leveler mounting.

The flush style doors feature a low profile locable single point latch and quick removable lift on hinges.

All sheet metal is finished with a high quality baking enamel with a smooth and textured finish.

Features:

- **Modular**
- **Clean, seamless corner design**
- **Vertical, Slope and Desktop front frame styles**
- **Adjustable multi-formed mounting angles with rack unit markings**
- **Fully welded construction**
- **Finished with a high quality baked-on paint in a textured finish**

King-Fisher Company, inc.

2350 Foster Ave. Wheeling, Il. 60090— 6574

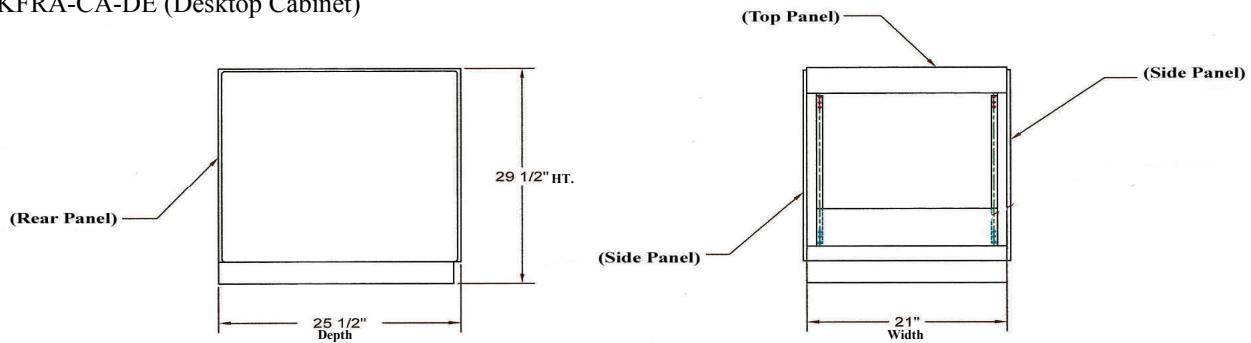
Phone (847)398-7100 Fax (847)255-1507

Phone (888)687-5324(US) Fax (877)687-5324(US)

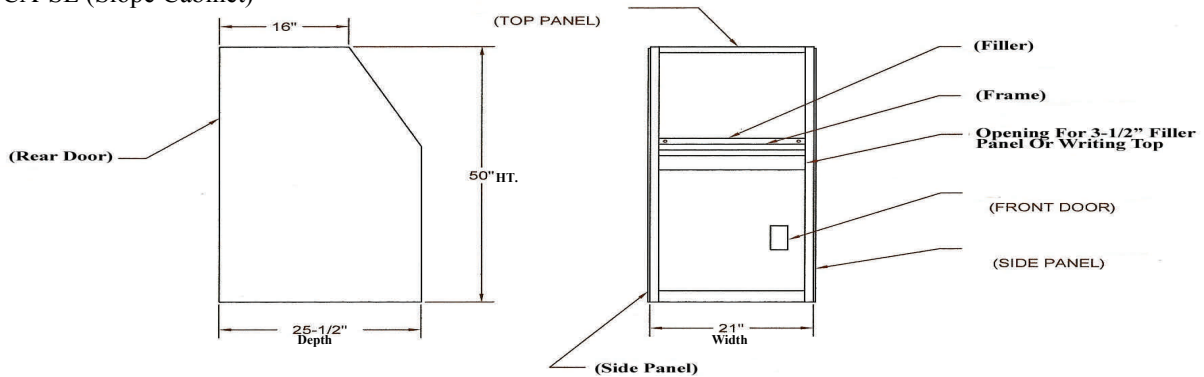
E-MAIL: sales@kfco.com

WEBSITE: www.kfci.us

KFRA-CA-DE (Desktop Cabinet)



KFRA-CA-SE (Slope Cabinet)



Ordering Information:

Model No.	Description
KFRA-CA-DE	Desktop Single/Dual Enclosure
KFRA-CA-SE	Slope-Front Enclosure Single/Dual
KFRA-CA-VE	Vertical Upright Enclosure Single/Dual

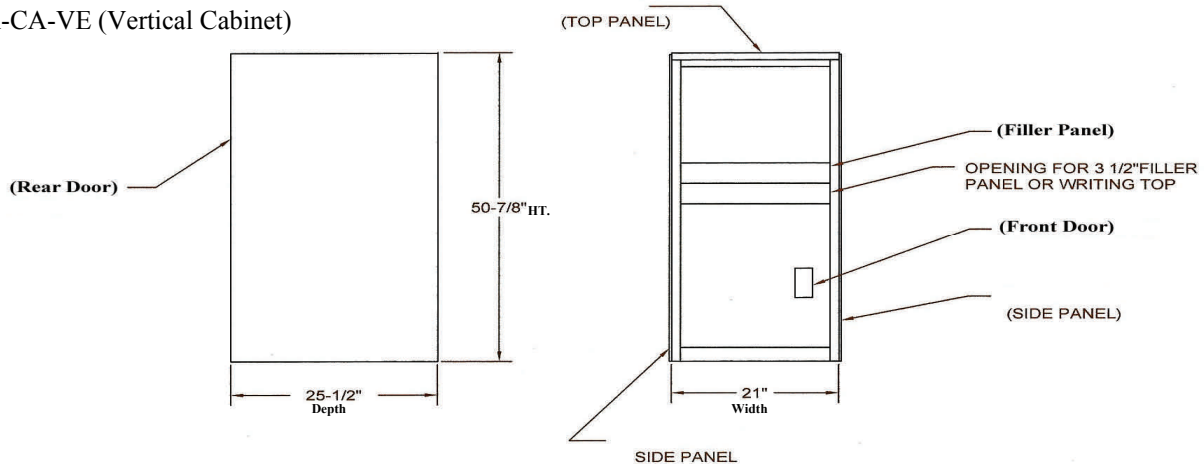
Optional Accessories

KFRA-WS	Writing Shelf (For All But Desktop)
KFRA-HKS	Hardware Kit (Single Receiver/Printer)
KFRA-HKD	Hardware Kit (Dual Receiver/Printer)

Information Data Sheet

SKFRACENC	Specification Data Sheet
-----------	--------------------------

KFRA-CA-VE (Vertical Cabinet)



Specification sheets are provided for information only and are believed to be accurate. However, no responsibility is assumed by King-Fisher Company inc., for their use. Information subject to change without notice.