



## KFLEMD Emergency Message Display



### Description

The KFLEMD Emergency Message Display is an LED illuminated text sign designed to comply with UFC requirements for mass notification systems. Where a text sign is required over the door of egress stairwells or other locations. It comes with two independently illuminated text messages: Announcement and Evacuate. Metallic version available and UL Listed under Standard 48 and UFC Compliant 4-021-01.

### Applications

- For use with Mass Notification systems needing an LED type sign
- Egress notification
- Hearing impaired announcements



### Features

- UFC compliant
- Two messages can be activated; Announcement or Evacuate
- Messages can be activated independently
- Message can be either steady on or flashing, set independently
- 24 VDC
- Low current draw 70 mA per circuit
- Compatible with reverse polarity supervision circuits
- Meets IP-65 rating, sealed against dust and protected from water splashes and low pressure water jets.
- Accepts #14 to #22 AWG wires
- UL Listed under Standard 48 and UFC Compliant 4021-01 (KFLEMD-M model)

### ***King-Fisher Company, inc.***

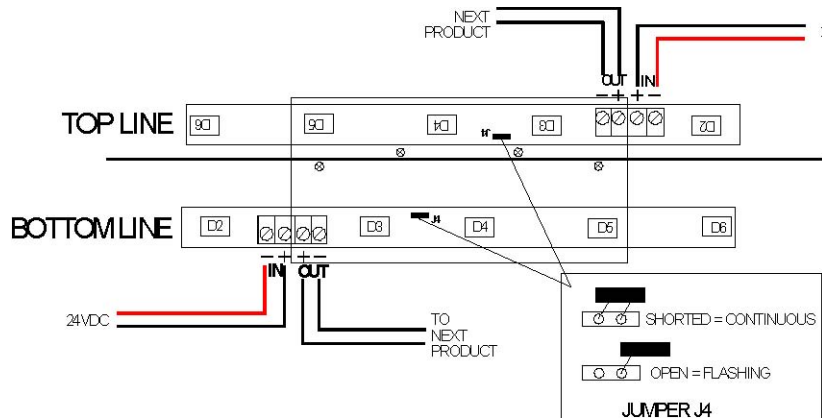
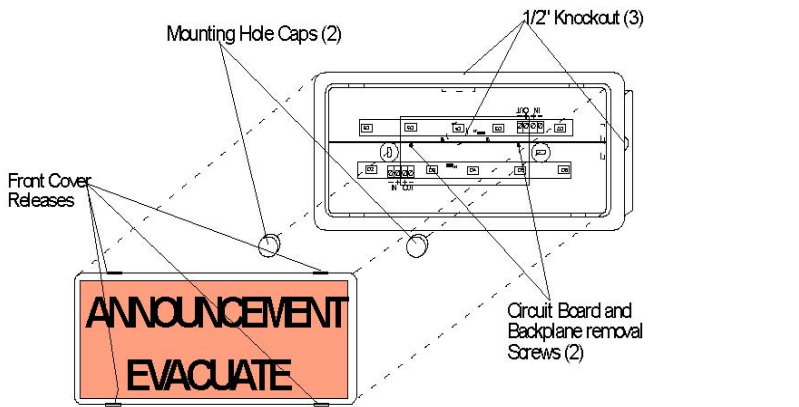
2350 Foster Ave. Wheeling, Il. 60090— 6574  
Phone (847)398-7100 Fax (847)255-1507  
Phone (888)687-5324(US) Fax (877)687-5324(US)

**ARCHITECTS AND ENGINEERS SPECIFICATIONS**

The LED-type sign shall be King-Fisher Company, inc., model KFLEMD, KFLEMD-M or approved equal. The sign shall meet an IP-65 rating. It shall be capable of being supervised with a standard reverse polarity circuit and operate on 24 VDC. The sign shall have two messages, Announcement and Evacuate. Each message shall have the capability to either stay illuminated steady or flash upon activation. The sign dimensions shall be 6 1/2”H x 14 1/2” W” x 2” D (LEMD) or 8”H x 14 1/2” W” x 2” D (LEMD-M).

**SPECIFICATION & ORDERING INFORMATION**

Part Number	Model Number	Description	Dimensions
	KFLEMD	LEMD Emergency Message Display	6 1/2”H x 14 1/2”W x 2” D
71602	KFLEMD-M	LED Emergency Message Display <ul style="list-style-type: none"> <li>• UL Listed Under Standard 48</li> <li>• UFC Compliant 4-021-01</li> </ul>	8”H x 14 1/2”W x 2”D



Specifications are provided for information only and are believed to be accurate. However, no responsibility is assumed by King-Fisher Company inc., for their use. Specifications subject to change without notice.