



**KF710ADU
Addressable
Pull Station**



Description:

The KF710ADU Pull Station provides Manual fire reporting. This high quality, die-cast metal Intelligent Fire Alarm Pull Station is available in a dual action configurations with a permanently attached addressable module.

The KF710ADU Pull Station is available with a CAT-211 key and mounts on a standard single gang backbox or model BB-700 interior surface metal backbox.

The KF710ADU addressable pull station has a pair of rotary decimal switches which allows for two digit address setting. Pulling the handle initiates the operation of the addressable module.



KF710ADU

Operation:

The KF710ADU is operated by pushing the bar labeled "PUSH BAR" and then pulling down the handle marked "PULL HANDLE". The KF710ADU Pull Station is reset by opening the station with the key (CAT-211), placing the handle in the normal upright position and re-locking the station.

The KF710ADU addressable pull station shall be installed as per the specific requirements outlined in NFPA 72 (5.12.5), as well as all other applicable national or local codes. Final acceptance is subject to the local authority having jurisdiction.

Features:

- **Dual Action Pull Station**
- **Key Resettable (CAT-211)**
- **Permanently Attached Intelligent Addressable Module**
- **High-gloss Red Enamel Finish**
- **CAT 211 Key Standard**
- **UL Listed**
- **Mounts on Standard Single Gang Box or BB-700 Surface Metal Back Box**

King-Fisher Company, inc.

2350 Foster Ave. Wheeling, Il. 60090— 6574
Phone (847)398-7100 Fax (847)255-1507
Phone (888)687-5324(US) Fax (877)687-5324(US)
E-MAIL: sales@kfco.com
WEBSITE: www.kfci.us

Specifications

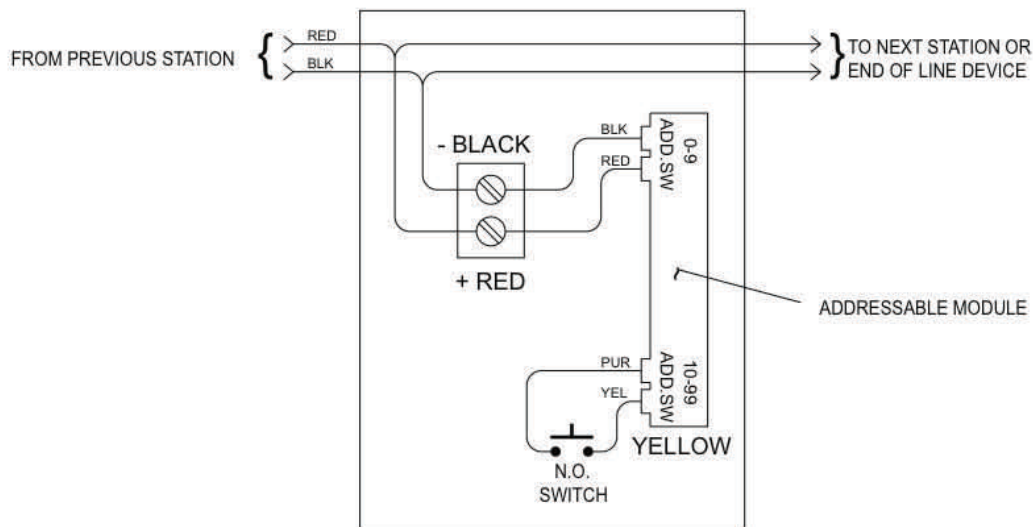
Switch Rating:	1 Amp @ 30 VDC 0.1 Amp @ 125 VAC
Pull Station Dimensions:	4.9" H x 3.5" W x 2.0" D
Surface-mount Backbox Dimensions:	5.0" H x 3.6" W x 2.0" D
Color:	Red with raised white letters, white Pull bar with raised red letters.
Current Consumption:	Standby: 400 uA

The manual pull station shall be the KF710ADU Series. Operating instructions shall be in raised English lettering and the unit shall be constructed of high quality die-cast metal and finished in red enamel paint to provide quick identification. Pulling the handle shall initiate immediate operation of the intelligent addressable module. All manual fire alarm stations shall be installed as per the specific requirements outlined in NFPA 72 (5.12.5), as well as all other applicable national or local codes. Final acceptance is subject to the local authority having jurisdiction.

Ordering Information:

Model No.	Description
KF710ADU BB-700	Intelligent Addressable Key Resettable Dual Action Manual Pull Station Series 700 Interior Surface Mount Backbox, Red Finish
SKF710ADU	Data Specification Sheet

Typical Wiring Diagram



NOTES:

1. WIRE AS SHOWN SO THAT SUPERVISION OF CONNECTIONS IS MAINTAINED.
2. MOUNT STATION TO 4" SQUARE x 1 1/2" DEEP OUTLET BOX WITH PLASTER RING RAISED 1/2".
3. SWITCH RATING: ALL MODELS 1A @ 30VDC, 0.1A @ 125VAC
4. MAXIMUM WIRE SIZE: No. 12 AWG.
5. REFER TO FIRE ALARM CONTROL PANEL MANUAL FOR ADDRESSABLE MODULE SETTING.

Specifications are provided for information only and are believed to be accurate. However, no responsibility is assumed by King-Fisher Company inc., for their use. Specifications subject to change without notice.