



BR2 Battery Rack

Description:

The BR2 Battery Rack allows for elevated, easy access and maintenance of your batteries while also assisting against interference or degeneration of the batteries.

Construction:

This rack is constructed from heavy duty 16 gauge steel with a durable black baked-on powder coat finish. Four battery rack supports adjust to multiple battery size requirements. The rack easily assembles and can be mounted securely to the floor and to adjacent Battery Rack(s). Batteries not included.



Four adjustable battery
rack supports

BR2

Features:

- **Allows for Elevated, Easy Access**
- **Heavy Duty Construction**
- **Durable Black Baked-On Powder Coat Finish**
- **Easy Assembly**
- **Dimensions Assembled:**
13" wide x 17 1/2" high x 14" deep
- **Assembly Hardware Included**
- **Side Holes for Bolting to Adjacent Battery Rack(s)**

King-Fisher Company, inc.

2350 Foster Ave. Wheeling, Il. 60090— 6574

Phone (847)398-7100 Fax (847)255-1507

Phone (888)687-5324(US) Fax (877)687-5324(US)

E-MAIL: sales@kfco.com

WEBSITE: www.kfci.us

Specifications:

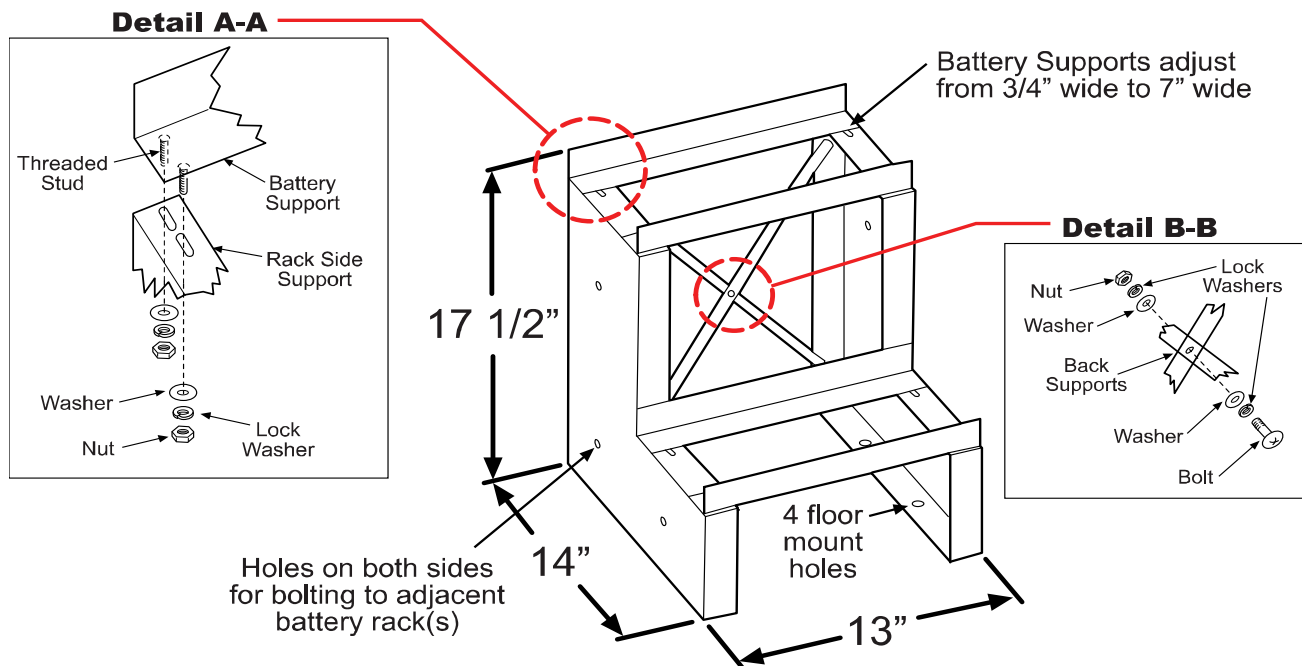
The **BR2 Battery Rack** is constructed of 16 gauge (.0598 thick) cold rolled steel and finished with a durable black textured, heat-resistant baked-on enamel finish. Overall dimensions of the assembled battery rack measure 13" wide x 17 1/2" high x 14" deep. This two-tiered battery rack includes supports that adjust from 5 3/4" wide to 7" wide to accommodate the battery(s). Floor and adjacent Battery Rack mounting holes included. Batteries not included.

Installation Instructions:

1. Place Battery Supports (4) on top two tiers of the Rack Side Supports
2. Attach nuts and washers loosely (see Detail A-A)
3. Attach the Back Supports (2) together at middle hole of the supports (see Detail B-B)
4. Attach the Back Supports to the rack assembly with the same method as Detail A-A
5. Tighten all hardware after squaring the assembly
6. Unit may be bolted to the floor or to an adjacent Battery Rack (hardware not supplied)

Ordering Information:

Model No.	Description
BR/2	BR2 Battery Rack
SBR2	Data Specification Sheet



Specifications are provided for information only and are believed to be accurate. However, no responsibility is assumed by King-Fisher Company inc., for their use. Specifications subject to change without notice.