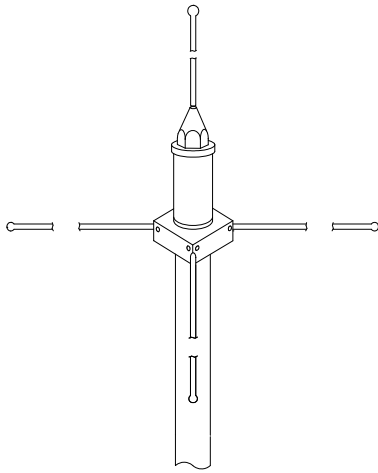
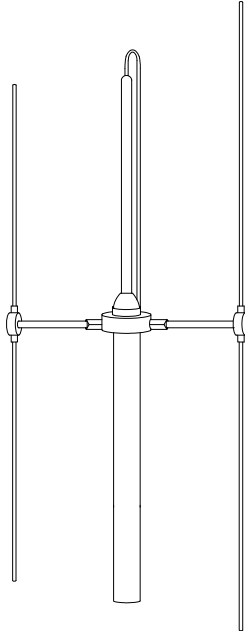




Receiving and Transmitting Antennas



5/8 Wave Antenna



3 element YAGGI Antenna



2-element co-linear antenna

Features:

- High quality antennas, machined in Aircraft Aluminum Stainless Steel or Brass, with stainless steel screws.
- Antenna mounts on the threaded end of standard rigid conduit.
- Equipped with a female UHF connector.
- Constructed so that a one-piece feed line can be used directly from the antenna to the transmitter or receiver.
- Custom cut to the proper length for your frequency.
- Wind speed analysis for specified antennas, rates them to survive wind gusts of 175 mph.

King-Fisher Company, inc.

81 Old Ferry Road Lowell, Massachusetts 01854

Phone (978)596-0214 Fax (978)596-0217

Phone (888)687-5324(US) Fax (877)687-5324(US)

E-MAIL: sales@kfc.com

WEBSITE: www.kfc.com

TRANSMITTER ANTENNAS

50001-xx.xx Transmitter Antenna, Shunt Fed, Omni-Directional, Low Band, 1" Mount, Alum., 72.02—72.98 MHz

A shunt fed antenna has all surfaces at ground potential. When the antenna is connected to a ground rod, it has better protection against lightening strikes than other types of antennas.

1" Support Pipe REQUIRED



50002-xx.xx Transmitter Antenna, Shunt Fed, Omni-Directional, Low Band, 1" Mount, Alum., 75.02—75.98 MHz

A shunt fed antenna has all surfaces at ground potential. When the antenna is connected to a ground rod, it has better protection against lightening strikes than other types of antennas.

1" Support Pipe REQUIRED



50004-xxx.xxxx Transmitter Antenna, Serial-Fed, Omni-Directional, High Band, 3/4" Mount, Alum., 138—174 MHz

3/4" Support Pipe REQUIRED



50026-xx.xx Transmitter Antenna, Serial-Fed, Omni-Directional, Low Band, 1" Mount, Alum., 72.02—72.98 MHz

This is an omni-directional, two-element co-linear antenna, giving approximately 3 DB gain

1" Support Pipe REQUIRED



50027-xx.xx Transmitter Antenna, Serial Fed, Omni-Directional, Low Band, 1" Mount, Alum., 75.40—75.80 MHz

This is an omni-directional, two-element co-linear antenna, giving approximately 3 DB gain

1" Support Pipe REQUIRED



50037-xxx.xxxx Transmitter Antenna, Serial-Fed, Omni-Directional, High Band, 1" Mount, Alum., 138—174 MHz

This omni-directional antenna includes a ground plane section and is a 5/8 Wave Whip Antenna, giving approximately 3 DB gain. Rated for wind gusts up to 175 mph.

1" Support Pipe REQUIRED



50059-xxx.xxxx Transmitter Antenna, Serial Fed, Vertical Beam, High Band, 3/4" Mount, Brass, 138—174 MHz

A 3 element YAGGI 8 DB Gain Mounts on 3/4" pipe
A folded radiator provides a direct ground path for lightning protection and static noise reduction. Rated for wind gusts up to 175 mph.

3/4" Support Pipe REQUIRED



50077-xx.xx Transmitter Antenna, Serial-Fed, Omni-Directional, Low Band, 1" Mount, Alum., 72.02—72.98 MHz

Injection molded 1/4 wave helical antenna High durability, High efficiency, Textured finish with strain-relief base

BNC Connection



50155-xxx.xxxx Transmitter Antenna, Serial-Fed, Vertical Beam, High Band, 1" Mount, Aluminum, 138—174 MHz

This model A 3 element YAGGI 8 DB Gain Mounts on 1" pipe
A folded radiator provides a direct ground path for lightning protection and static noise reduction. Rated for wind gusts up to 175 mph.

1" Support Pipe REQUIRED



RECEIVER ANTENNAS

50057-xx.xx Receiving Antenna, Serial Fed, Omni-Directional, Low Band, 1" Mount, Aluminum, 72.02—72.98 MHz

This model is a two-element co-linear antenna giving approximately 3 DB gain

1 1/4" Support Pipe REQUIRED



50053-xxx.xxxx Receiving Antenna, Serial Fed, Omni-Directional, High Band, 1" Mount, Aluminum, 138—174 MHz

This model includes a ground plane section and is a two-element co-linear antenna giving approximately 3 DB gain

1 1/4" Support Pipe REQUIRED



Antenna Specifications:

KFCi #	Antenna Type	Feed Type	Gain (dBd)	Directional	Ground Plane	Material	Mount	Band	Freq Range	Weight
50053	Co-Plane	Serial	3	Omni	Yes	Alodined Aluminum	1.25"	High	138 - 174 MHz	1.5 lbs
50057	Co-Plane	Serial	3	Omni	Yes	Aluminum	1.25"	Low	72.02 - 75.98 MHz	8.0 lbs
50037	5/8 Wave Whip	Serial	3	Omni	Yes	Stainless Steel	1"	High	138 - 174 MHz	2.0 lbs
50004	Co-Axial	Serial	0	Omni	No	Aluminum	1"	High	138 - 174 MHz	1.75 lbs
50059	Vertical Beam	Serial	8	Directional	No	Brass	0.75"	High	138 - 174 MHz	10.0 lbs
50155	Vertical Beam	Serial	8	Directional	No	Aluminum	1"	High	138 - 174 MHz	5.0 lbs
50026	Co-Axial	Serial	0	Omni	No	Aluminum	1"	Low 72	72.02 - 72.98 MHz	4.5 lbs
50001	Co-Axial	Shunt	0	Omni	No	Aluminum	1"	Low 72	72.02 - 72.98 MHz	4.5 lbs
50027	Co-Axial	Serial	0	Omni	No	Aluminum	1"	Low 75	72.02 - 72.98 MHz	4.5 lbs
50002	Co-Axial	Shunt	0	Omni	No	Aluminum	1"	Low 75	75.02 - 75.98 MHz	4.5 lbs
50077	1/4 Wave Helical	Serial	0	Omni	No	Rubber	BNC	High	136-144 MHz	.5

Ordering Information:

Part No. _____ Description _____

Mfg. Part #	RECEIVING ANTENNAS- HIGH BAND (1-1/4" MOUNT, 3dBd GAIN, ALUMINUM)
50053-138.15	Receiving Antenna- Omni-Directional, with Ground Plane, 3dBd Gain, High Band, 1-1/4" Mount, Aluminum, 138.15 MHz.
Mfg. Part #	RECEIVING ANTENNAS- HIGH BAND (1-1/4" MOUNT, 3dBd GAIN, ALUMINUM)
50053-138.2875	Receiving Antenna- Omni-Directional, with Ground Plane, 3dBd Gain, High Band, 1-1/4" Mount, Aluminum, 138.2875 MHz.
50053-138.525	Receiving Antenna- Omni-Directional, with Ground Plane, 3dBd Gain, High Band, 1-1/4" Mount, Aluminum, 138.525 MHz.
50053-138.575	Receiving Antenna- Omni-Directional, with Ground Plane, 3dBd Gain, High Band, 1-1/4" Mount, Aluminum, 138.575 MHz.
50053-138.8	Receiving Antenna- Omni-Directional, with Ground Plane, 3dBd Gain, High Band, 1-1/4" Mount, Aluminum, 138.8 MHz.
50053-138.85	Receiving Antenna- Omni-Directional, with Ground Plane, 3dBd Gain, High Band, 1-1/4" Mount, Aluminum, 138.85 MHz.
50053-138.925	Receiving Antenna- Omni-Directional, with Ground Plane, 3dBd Gain, High Band, 1-1/4" Mount, Aluminum, 138.925 MHz.
50053-138.975	Receiving Antenna- Omni-Directional, with Ground Plane, 3dBd Gain, High Band, 1-1/4" Mount, Aluminum, 138.975 MHz.
50053-139.075	Receiving Antenna- Omni-Directional, with Ground Plane, 3dBd Gain, High Band, 1-1/4" Mount, Aluminum, 139.075 MHz.
50053-139.55	Receiving Antenna- Omni-Directional, with Ground Plane, 3dBd Gain, High Band, 1-1/4" Mount, Aluminum, 139.55 MHz.
50053-139.575	Receiving Antenna- Omni-Directional, with Ground Plane, 3dBd Gain, High Band, 1-1/4" Mount, Aluminum, 139.575 MHz.
50053-139.675	Receiving Antenna- Omni-Directional, with Ground Plane, 3dBd Gain, High Band, 1-1/4" Mount, Aluminum, 139.675 MHz.
50053-140.05	Receiving Antenna- Omni-Directional, with Ground Plane, 3dBd Gain, High Band, 1-1/4" Mount, Aluminum, 140.05 MHz.
50053-140.55	Receiving Antenna- Omni-Directional, with Ground Plane, 3dBd Gain, High Band, 1-1/4" Mount, Aluminum, 140.55 MHz.
50053-140.6	Receiving Antenna- Omni-Directional, with Ground Plane, 3dBd Gain, High Band, 1-1/4" Mount, Aluminum, 140.6 MHz.
50053-140.95	Receiving Antenna- Omni-Directional, with Ground Plane, 3dBd Gain, High Band, 1-1/4" Mount, Aluminum, 140.95 MHz.
50053-141.3625	Receiving Antenna- Omni-Directional, with Ground Plane, 3dBd Gain, High Band, 1-1/4" Mount, Aluminum, 141.3625 MHz.
50053-141.4124	Receiving Antenna- Omni-Directional, with Ground Plane, 3dBd Gain, High Band, 1-1/4" Mount, Aluminum, 141.4124 MHz.
50053-141.4125	Receiving Antenna- Omni-Directional, with Ground Plane, 3dBd Gain, High Band, 1-1/4" Mount, Aluminum, 141.4125 MHz.
Mfg. Part #	RECEIVING ANTENNAS- HIGH BAND (1-1/4" MOUNT, 3dBd GAIN, ALUMINUM)
50053-141.875	Receiving Antenna- Omni-Directional, with Ground Plane, 3dBd Gain, High Band, 1-1/4" Mount, Aluminum, 141.875 MHz.
50053-142.00	Receiving Antenna- Omni-Directional, with Ground Plane, 3dBd Gain, High Band, 1-1/4" Mount, Aluminum, 142.00 MHz.
50053-142.7125	Receiving Antenna- Omni-Directional, with Ground Plane, 3dBd Gain, High Band, 1-1/4" Mount, Aluminum, 142.7125 MHz.
50053-142.8375	Receiving Antenna- Omni-Directional, with Ground Plane, 3dBd Gain, High Band, 1-1/4" Mount, Aluminum, 142.8375 MHz.
50053-142.875	Receiving Antenna- Omni-Directional, with Ground Plane, 3dBd Gain, High Band, 1-1/4" Mount, Aluminum, 142.875 MHz.
50053-143.6	Receiving Antenna- Omni-Directional, with Ground Plane, 3dBd Gain, High Band, 1-1/4" Mount, Aluminum, 143.6 MHz.
50053-150.3625	Receiving Antenna- Omni-Directional, with Ground Plane, 3dBd Gain, High Band, 1-1/4" Mount, Aluminum, 150.3625 MHz.
50053-150.5	Receiving Antenna- Omni-Directional, with Ground Plane, 3dBd Gain, High Band, 1-1/4" Mount, Aluminum, 150.5 MHz.
50053-158.7875	Receiving Antenna- Omni-Directional, with Ground Plane, 3dBd Gain, High Band, 1-1/4" Mount, Aluminum, 158.7875 MHz.
50053-164.9625	Receiving Antenna- Omni-Directional, with Ground Plane, 3dBd Gain, High Band, 1-1/4" Mount, Aluminum, 164.9625 MHz.
50053-166.2	Receiving Antenna- Omni-Directional, with Ground Plane, 3dBd Gain, High Band, 1-1/4" Mount, Aluminum, 166.2 MHz.
50053-168.525	Receiving Antenna- Omni-Directional, with Ground Plane, 3dBd Gain, High Band, 1-1/4" Mount, Aluminum, 168.525 MHz.
50053-171.3375	Receiving Antenna- Omni-Directional, with Ground Plane, 3dBd Gain, High Band, 1-1/4" Mount, Aluminum, 171.3375 MHz.

Mfg. Part #	RECEIVING ANTENNAS- LOW BAND (1-1/4" MOUNT, 3dBd GAIN, ALUMINUM)
50057-72.06	Receiving Antenna- Omni-Directional, with Ground Plane, 3dBd Gain, Low-Band, 1-1/4" Mount, Aluminum, 72.06 MHz.
50057-72.48	Receiving Antenna- Omni-Directional, with Ground Plane, 3dBd Gain, Low-Band, 1-1/4" Mount, Aluminum, 72.48 MHz.
50057-72.5	Receiving Antenna- Omni-Directional, with Ground Plane, 3dBd Gain, Low-Band, 1-1/4" Mount, Aluminum, 72.5 MHz.
50057-72.52	Receiving Antenna- Omni-Directional, with Ground Plane, 3dBd Gain, Low-Band, 1-1/4" Mount, Aluminum, 72.52 MHz.
Mfg. Part #	RECEIVING ANTENNAS- LOW BAND (1-1/4" MOUNT, 3dBd GAIN, ALUMINUM)
50057-72.56	Receiving Antenna- Omni-Directional, with Ground Plane, 3dBd Gain, Low-Band, 1-1/4" Mount, Aluminum, 72.56 MHz.
50057-72.6	Receiving Antenna- Omni-Directional, with Ground Plane, 3dBd Gain, Low-Band, 1-1/4" Mount, Aluminum, 72.6 MHz.
50057-72.64	Receiving Antenna- Omni-Directional, with Ground Plane, 3dBd Gain, Low-Band, 1-1/4" Mount, Aluminum, 72.64 MHz.
50057-72.7	Receiving Antenna- Omni-Directional, with Ground Plane, 3dBd Gain, Low-Band, 1-1/4" Mount, Aluminum, 72.7 MHz.
50057-72.78	Receiving Antenna- Omni-Directional, with Ground Plane, 3dBd Gain, Low-Band, 1-1/4" Mount, Aluminum, 72.78 MHz.
50057-72.92	Receiving Antenna- Omni-Directional, with Ground Plane, 3dBd Gain, Low-Band, 1-1/4" Mount, Aluminum, 72.92 MHz.
50057-75.42	Receiving Antenna- Omni-Directional, with Ground Plane, 3dBd Gain, Low-Band, 1-1/4" Mount, Aluminum, 75.42 MHz.
50057-75.56	Receiving Antenna- Omni-Directional, with Ground Plane, 3dBd Gain, Low-Band, 1-1/4" Mount, Aluminum, 75.56 MHz.
50057-75.7	Receiving Antenna- Omni-Directional, with Ground Plane, 3dBd Gain, Low-Band, 1-1/4" Mount, Aluminum, 75.7 MHz.
50057-75.72	Receiving Antenna- Omni-Directional, with Ground Plane, 3dBd Gain, Low-Band, 1-1/4" Mount, Aluminum, 75.72 MHz.
Mfg. Part #	TRANSMITTER ANTENNAS- HIGH BAND (1" MOUNT, 3dBd GAIN, STAINLESS STEEL)
50037-138.15	Transmitter Antenna- Omni-Directional, with Ground Plane, 3dBd Gain, High-Band, 1" Mount, Stainless Steel, 138.15 MHz.
50037-138.2875	Transmitter Antenna- Omni-Directional, with Ground Plane, 3dBd Gain, High-Band, 1" Mount, Stainless Steel, 138.2875 MHz.
50037-138.525	Transmitter Antenna- Omni-Directional, with Ground Plane, 3dBd Gain, High-Band, 1" Mount, Stainless Steel, 138.525 MHz.
50037-138.575	Transmitter Antenna- Omni-Directional, with Ground Plane, 3dBd Gain, High-Band, 1" Mount, Stainless Steel, 138.575 MHz.
50037-138.8	Transmitter Antenna- Omni-Directional, with Ground Plane, 3dBd Gain, High-Band, 1" Mount, Stainless Steel, 138.8 MHz.
50037-138.85	Transmitter Antenna- Omni-Directional, with Ground Plane, 3dBd Gain, High-Band, 1" Mount, Stainless Steel, 138.85 MHz.
Mfg. Part #	TRANSMITTER ANTENNAS- HIGH BAND (1" MOUNT, 3dBd GAIN, STAINLESS STEEL)
50037-138.925	Transmitter Antenna- Omni-Directional, with Ground Plane, 3dBd Gain, High-Band, 1" Mount, Stainless Steel, 138.925 MHz.
50037-138.975	Transmitter Antenna- Omni-Directional, with Ground Plane, 3dBd Gain, High-Band, 1" Mount, Stainless Steel, 138.975 MHz.
50037-139.075	Transmitter Antenna- Omni-Directional, with Ground Plane, 3dBd Gain, High-Band, 1" Mount, Stainless Steel, 139.075 MHz.
50037-139.55	Transmitter Antenna- Omni-Directional, with Ground Plane, 3dBd Gain, High-Band, 1" Mount, Stainless Steel, 139.55 MHz.
50037-139.575	Transmitter Antenna- Omni-Directional, with Ground Plane, 3dBd Gain, High-Band, 1" Mount, Stainless Steel, 139.575 MHz.
50037-139.675	Transmitter Antenna- Omni-Directional, with Ground Plane, 3dBd Gain, High-Band, 1" Mount, Stainless Steel, 139.675 MHz.
50037-140.05	Transmitter Antenna- Omni-Directional, with Ground Plane, 3dBd Gain, High-Band, 1" Mount, Stainless Steel, 140.05 MHz.
50037-140.55	Transmitter Antenna- Omni-Directional, with Ground Plane, 3dBd Gain, High-Band, 1" Mount, Stainless Steel, 140.55 MHz.
50037-140.6	Transmitter Antenna- Omni-Directional, with Ground Plane, 3dBd Gain, High-Band, 1" Mount, Stainless Steel, 140.6 MHz.
50037-140.95	Transmitter Antenna- Omni-Directional, with Ground Plane, 3dBd Gain, High-Band, 1" Mount, Stainless Steel, 140.95 MHz.
50037-141.3625	Transmitter Antenna- Omni-Directional, with Ground Plane, 3dBd Gain, High-Band, 1" Mount, Stainless Steel, 141.3625 MHz.
50037-141.4124	Transmitter Antenna- Omni-Directional, with Ground Plane, 3dBd Gain, High-Band, 1" Mount, Stainless Steel, 141.4124 MHz.
50037-141.4125	Transmitter Antenna- Omni-Directional, with Ground Plane, 3dBd Gain, High-Band, 1" Mount, Stainless Steel, 141.4125 MHz.

50037-141.875	Transmitter Antenna- Omni-Directional, with Ground Plane, 3dBd Gain, High-Band, 1" Mount, Stainless Steel, 141.875 MHz.
50037-142.00	Transmitter Antenna- Omni-Directional, with Ground Plane, 3dBd Gain, High-Band, 1" Mount, Stainless Steel, 142.00 MHz.
50037-142.8375	Transmitter Antenna- Omni-Directional, with Ground Plane, 3dBd Gain, High-Band, 1" Mount, Stainless Steel, 142.8375 MHz.
50037-142.875	Transmitter Antenna- Omni-Directional, with Ground Plane, 3dBd Gain, High-Band, 1" Mount, Stainless Steel, 142.875 MHz.
Mfg. Part #	TRANSMITTER ANTENNAS- HIGH BAND (1" MOUNT, 3dBd GAIN, STAINLESS STEEL)
50037-143.6	Transmitter Antenna- Omni-Directional, with Ground Plane, 3dBd Gain, High-Band, 1" Mount, Stainless Steel, 143.6 MHz.
50037-150.3625	Transmitter Antenna- Omni-Directional, with Ground Plane, 3dBd Gain, High-Band, 1" Mount, Stainless Steel, 150.3625 MHz.
50037-150.5	Transmitter Antenna- Omni-Directional, with Ground Plane, 3dBd Gain, High-Band, 1" Mount, Stainless Steel, 150.5 MHz.
50037-158.7875	Transmitter Antenna- Omni-Directional, with Ground Plane, 3dBd Gain, High-Band, 1" Mount, Stainless Steel, 158.7875 MHz.
50037-164.9625	Transmitter Antenna- Omni-Directional, with Ground Plane, 3dBd Gain, High-Band, 1" Mount, Stainless Steel, 164.9625 MHz.
50037-166.2	Transmitter Antenna- Omni-Directional, with Ground Plane, 3dBd Gain, High-Band, 1" Mount, Stainless Steel, 166.2 MHz.
50037-168.525	Transmitter Antenna- Omni-Directional, with Ground Plane, 3dBd Gain, High-Band, 1" Mount, Stainless Steel, 168.525 MHz.
50037-171.3375	Transmitter Antenna- Omni-Directional, with Ground Plane, 3dBd Gain, High-Band, 1" Mount, Stainless Steel, 171.3375 MHz.
Mfg. Part #	TRANSMITTER ANTENNAS- HIGH BAND (1" MOUNT, 0dBd GAIN, ALUMINUM)
50004-138.15	Transmitter Antenna- Omni-Directional, 0dBd Gain, High-Band, 1" Mount, Aluminum, 138.15 MHz.
50004-138.2875	Transmitter Antenna- Omni-Directional, 0dBd Gain, High-Band, 1" Mount, Aluminum, 138.2875 MHz.
50004-138.525	Transmitter Antenna- Omni-Directional, 0dBd Gain, High-Band, 1" Mount, Aluminum, 138.525 MHz.
50004-138.575	Transmitter Antenna- Omni-Directional, 0dBd Gain, High-Band, 1" Mount, Aluminum, 138.575 MHz.
50004-138.8	Transmitter Antenna- Omni-Directional, 0dBd Gain, High-Band, 1" Mount, Aluminum, 138.8 MHz.
50004-138.85	Transmitter Antenna- Omni-Directional, 0dBd Gain, High-Band, 1" Mount, Aluminum, 138.85 MHz.
50004-138.925	Transmitter Antenna- Omni-Directional, 0dBd Gain, High-Band, 1" Mount, Aluminum, 138.925 MHz.
50004-138.975	Transmitter Antenna- Omni-Directional, 0dBd Gain, High-Band, 1" Mount, Aluminum, 138.975 MHz.
50004-139.075	Transmitter Antenna- Omni-Directional, 0dBd Gain, High-Band, 1" Mount, Aluminum, 139.075 MHz.
50004-139.55	Transmitter Antenna- Omni-Directional, 0dBd Gain, High-Band, 1" Mount, Aluminum, 139.55 MHz.
50004-139.575	Transmitter Antenna- Omni-Directional, 0dBd Gain, High-Band, 1" Mount, Aluminum, 139.575 MHz.
50004-139.675	Transmitter Antenna- Omni-Directional, 0dBd Gain, High-Band, 1" Mount, Aluminum, 139.675 MHz.
50004-140.05	Transmitter Antenna- Omni-Directional, 0dBd Gain, High-Band, 1" Mount, Aluminum, 140.05 MHz.
Mfg. Part #	TRANSMITTER ANTENNAS- HIGH BAND (1" MOUNT, 0dBd GAIN, ALUMINUM)
50004-140.55	Transmitter Antenna- Omni-Directional, 0dBd Gain, High-Band, 1" Mount, Aluminum, 140.55 MHz.
50004-140.6	Transmitter Antenna- Omni-Directional, 0dBd Gain, High-Band, 1" Mount, Aluminum, 140.6 MHz.
50004-140.95	Transmitter Antenna- Omni-Directional, 0dBd Gain, High-Band, 1" Mount, Aluminum, 140.95 MHz.
50004-141.3625	Transmitter Antenna- Omni-Directional, 0dBd Gain, High-Band, 1" Mount, Aluminum, 141.3625 MHz.
50004-141.4124	Transmitter Antenna- Omni-Directional, 0dBd Gain, High-Band, 1" Mount, Aluminum, 141.4124 MHz.
50004-141.4125	Transmitter Antenna- Omni-Directional, 0dBd Gain, High-Band, 1" Mount, Aluminum, 141.4125 MHz.
50004-141.875	Transmitter Antenna- Omni-Directional, 0dBd Gain, High-Band, 1" Mount, Aluminum, 141.875 MHz.

50004-142.00	Transmitter Antenna- Omni-Directional, 0dBd Gain, High-Band, 1" Mount, Aluminum, 142.00 MHz.
50004-142.8375	Transmitter Antenna- Omni-Directional, 0dBd Gain, High-Band, 1" Mount, Aluminum, 142.8375 MHz.
50004-142.875	Transmitter Antenna- Omni-Directional, 0dBd Gain, High-Band, 1" Mount, Aluminum, 142.875 MHz.
50004-143.6	Transmitter Antenna- Omni-Directional, 0dBd Gain, High-Band, 1" Mount, Aluminum, 143.6 MHz.
50004-150.3625	Transmitter Antenna- Omni-Directional, 0dBd Gain, High-Band, 1" Mount, Aluminum, 150.3625 MHz.
50004-150.5	Transmitter Antenna- Omni-Directional, 0dBd Gain, High-Band, 1" Mount, Aluminum, 150.5 MHz.
50004-158.7875	Transmitter Antenna- Omni-Directional, 0dBd Gain, High-Band, 1" Mount, Aluminum, 158.7875 MHz.
50004-164.9625	Transmitter Antenna- Omni-Directional, 0dBd Gain, High-Band, 1" Mount, Aluminum, 164.9625 MHz.
50004-166.2	Transmitter Antenna- Omni-Directional, 0dBd Gain, High-Band, 1" Mount, Aluminum, 166.2 MHz.
50004-168.525	Transmitter Antenna- Omni-Directional, 0dBd Gain, High-Band, 1" Mount, Aluminum, 168.525 MHz.
50004-171.3375	Transmitter Antenna- Omni-Directional, 0dBd Gain, High-Band, 1" Mount, Aluminum, 171.3375 MHz.
Mfg. Part #	TRANSMITTER ANTENNAS- HIGH BAND (3/4" MOUNT, 8dBd GAIN, BRASS)
50059-138.15	Transmitter Antenna- Vertical Beam, 8dBd Gain, High-Band, 3/4" Mount, Brass, 138.15 MHz.
50059-138.2875	Transmitter Antenna- Vertical Beam, 8dBd Gain, High-Band, 3/4" Mount, Brass, 138.2875 MHz.
50059-138.525	Transmitter Antenna- Vertical Beam, 8dBd Gain, High-Band, 3/4" Mount, Brass, 138.525 MHz.
50059-138.575	Transmitter Antenna- Vertical Beam, 8dBd Gain, High-Band, 3/4" Mount, Brass, 138.575 MHz.
50059-138.8	Transmitter Antenna- Vertical Beam, 8dBd Gain, High-Band, 3/4" Mount, Brass, 138.8 MHz.
50059-138.85	Transmitter Antenna- Vertical Beam, 8dBd Gain, High-Band, 3/4" Mount, Brass, 138.85 MHz.
50059-138.925	Transmitter Antenna- Vertical Beam, 8dBd Gain, High-Band, 3/4" Mount, Brass, 138.925 MHz.
50059-138.975	Transmitter Antenna- Vertical Beam, 8dBd Gain, High-Band, 3/4" Mount, Brass, 138.975 MHz.
50059-139.075	Transmitter Antenna- Vertical Beam, 8dBd Gain, High-Band, 3/4" Mount, Brass, 139.075 MHz.
50059-139.55	Transmitter Antenna- Vertical Beam, 8dBd Gain, High-Band, 3/4" Mount, Brass, 139.55 MHz.
50059-139.575	Transmitter Antenna- Vertical Beam, 8dBd Gain, High-Band, 3/4" Mount, Brass, 139.575 MHz.
50059-139.675	Transmitter Antenna- Vertical Beam, 8dBd Gain, High-Band, 3/4" Mount, Brass, 139.675 MHz.
50059-140.05	Transmitter Antenna- Vertical Beam, 8dBd Gain, High-Band, 3/4" Mount, Brass, 140.05 MHz.
50059-140.55	Transmitter Antenna- Vertical Beam, 8dBd Gain, High-Band, 3/4" Mount, Brass, 140.55 MHz.
50059-140.6	Transmitter Antenna- Vertical Beam, 8dBd Gain, High-Band, 3/4" Mount, Brass, 140.6 MHz.
50059-140.95	Transmitter Antenna- Vertical Beam, 8dBd Gain, High-Band, 3/4" Mount, Brass, 140.95 MHz.
50059-141.3625	Transmitter Antenna- Vertical Beam, 8dBd Gain, High-Band, 3/4" Mount, Brass, 141.3625 MHz.
50059-141.4124	Transmitter Antenna- Vertical Beam, 8dBd Gain, High-Band, 3/4" Mount, Brass, 141.4124 MHz.

50059-141.4125	Transmitter Antenna- Vertical Beam, 8dBd Gain, High-Band, 3/4" Mount, Brass, 141.4125 MHz.
50059-141.875	Transmitter Antenna- Vertical Beam, 8dBd Gain, High-Band, 3/4" Mount, Brass, 141.875 MHz.
50059-142.00	Transmitter Antenna- Vertical Beam, 8dBd Gain, High-Band, 3/4" Mount, Brass, 142.00 MHz.
50059-142.8375	Transmitter Antenna- Vertical Beam, 8dBd Gain, High-Band, 3/4" Mount, Brass, 142.8375 MHz.
50059-142.875	Transmitter Antenna- Vertical Beam, 8dBd Gain, High-Band, 3/4" Mount, Brass, 142.875 MHz.
50059-143.6	Transmitter Antenna- Vertical Beam, 8dBd Gain, High-Band, 3/4" Mount, Brass, 143.6 MHz.
50059-150.3625	Transmitter Antenna- Vertical Beam, 8dBd Gain, High-Band, 3/4" Mount, Brass, 150.3625 MHz.
50059-150.5	Transmitter Antenna- Vertical Beam, 8dBd Gain, High-Band, 3/4" Mount, Brass, 150.5 MHz.
50059-158.7875	Transmitter Antenna- Vertical Beam, 8dBd Gain, High-Band, 3/4" Mount, Brass, 158.7875 MHz.
50059-164.9625	Transmitter Antenna- Vertical Beam, 8dBd Gain, High-Band, 3/4" Mount, Brass, 164.9625 MHz.
50059-166.2	Transmitter Antenna- Vertical Beam, 8dBd Gain, High-Band, 3/4" Mount, Brass, 166.2 MHz.
50059-168.525	Transmitter Antenna- Vertical Beam, 8dBd Gain, High-Band, 3/4" Mount, Brass, 168.525 MHz.
50059-171.3375	Transmitter Antenna- Vertical Beam, 8dBd Gain, High-Band, 3/4" Mount, Brass, 171.3375 MHz.
Mfg. Part #	TRANSMITTER ANTENNAS- HIGH BAND (1" MOUNT, 8dBd GAIN, ALUMINUM)
50155-138.15	Transmitter Antenna- Vertical Beam, 8dBd Gain, 1" Mount, Aluminum, 138.15 MHz.
50155-138.2875	Transmitter Antenna- Vertical Beam, 8dBd Gain, 1" Mount, Aluminum, 138.2875 MHz.
50155-138.525	Transmitter Antenna- Vertical Beam, 8dBd Gain, 1" Mount, Aluminum, 138.525 MHz.
50155-138.575	Transmitter Antenna- Vertical Beam, 8dBd Gain, 1" Mount, Aluminum, 138.575 MHz.
50155-138.8	Transmitter Antenna- Vertical Beam, 8dBd Gain, 1" Mount, Aluminum, 138.8 MHz.
50155-138.85	Transmitter Antenna- Vertical Beam, 8dBd Gain, 1" Mount, Aluminum, 138.85 MHz.
50155-138.925	Transmitter Antenna- Vertical Beam, 8dBd Gain, 1" Mount, Aluminum, 138.925 MHz.
50155-138.975	Transmitter Antenna- Vertical Beam, 8dBd Gain, 1" Mount, Aluminum, 138.975 MHz.
50155-139.075	Transmitter Antenna- Vertical Beam, 8dBd Gain, 1" Mount, Aluminum, 139.075 MHz.
50155-139.55	Transmitter Antenna- Vertical Beam, 8dBd Gain, 1" Mount, Aluminum, 139.55 MHz.
50155-139.575	Transmitter Antenna- Vertical Beam, 8dBd Gain, 1" Mount, Aluminum, 139.575 MHz.
50155-139.675	Transmitter Antenna- Vertical Beam, 8dBd Gain, 1" Mount, Aluminum, 139.675 MHz.
50155-140.05	Transmitter Antenna- Vertical Beam, 8dBd Gain, 1" Mount, Aluminum, 140.05 MHz.
50155-140.55	Transmitter Antenna- Vertical Beam, 8dBd Gain, 1" Mount, Aluminum, 140.55 MHz.
50155-140.6	Transmitter Antenna- Vertical Beam, 8dBd Gain, 1" Mount, Aluminum, 140.6 MHz.
50155-140.95	Transmitter Antenna- Vertical Beam, 8dBd Gain, 1" Mount, Aluminum, 140.95 MHz.
50155-141.3625	Transmitter Antenna- Vertical Beam, 8dBd Gain, 1" Mount, Aluminum, 141.3625 MHz.

50155-141.4124	Transmitter Antenna- Vertical Beam, 8dBd Gain, 1" Mount, Aluminum, 141.4124 MHz.
50155-141.4125	Transmitter Antenna- Vertical Beam, 8dBd Gain, 1" Mount, Aluminum, 141.4125 MHz.
50155-141.875	Transmitter Antenna- Vertical Beam, 8dBd Gain, 1" Mount, Aluminum, 141.875 MHz.
50155-142.00	Transmitter Antenna- Vertical Beam, 8dBd Gain, 1" Mount, Aluminum, 142.00 MHz.
50155-142.8375	Transmitter Antenna- Vertical Beam, 8dBd Gain, 1" Mount, Aluminum, 142.8375 MHz.
50155-142.875	Transmitter Antenna- Vertical Beam, 8dBd Gain, 1" Mount, Aluminum, 142.875 MHz.
50155-143.6	Transmitter Antenna- Vertical Beam, 8dBd Gain, 1" Mount, Aluminum, 143.6 MHz.
50155-150.3625	Transmitter Antenna- Vertical Beam, 8dBd Gain, 1" Mount, Aluminum, 150.3625 MHz.
50155-150.5	Transmitter Antenna- Vertical Beam, 8dBd Gain, 1" Mount, Aluminum, 150.5 MHz.
50155-158.7875	Transmitter Antenna- Vertical Beam, 8dBd Gain, 1" Mount, Aluminum, 158.7875 MHz.
50155-164.9625	Transmitter Antenna- Vertical Beam, 8dBd Gain, 1" Mount, Aluminum, 164.9625 MHz.
50155-166.2	Transmitter Antenna- Vertical Beam, 8dBd Gain, 1" Mount, Aluminum, 166.2 MHz.
50155-168.525	Transmitter Antenna- Vertical Beam, 8dBd Gain, 1" Mount, Aluminum, 168.525 MHz.
50155-171.3375	Transmitter Antenna- Vertical Beam, 8dBd Gain, 1" Mount, Aluminum, 171.3375 MHz.
Mfg. Part #	TRANSMITTER ANTENNAS- LOW BAND (1" MOUNT, UNITY GAIN, ALUMINUM)
50026-72-72.98	Transmitter Antenna- Omni-Directional, Unity Gain, Low Band, 1" Mount, Aluminum, 72.00-72.98 MHz.
50001-72-72.98	Transmitter Antenna- Shunt-Fed, Omni-Directional, Unity Gain, Low Band, 1" Mount, Aluminum, 72.00-72.98 MHz.
50027-75.4-75.8	Transmitter Antenna- Omni-Directional, Unity Gain, Low Band, 1" Mount, Aluminum, 75.4-75.8 MHz.
50002-75.4-75.8	Transmitter Antenna- Shunt-Fed, Omni-Directional, Unity Gain, Low Band, 1" Mount, Aluminum, 75.4-75.8 MHz.
Mfg. Part #	TRANSMITTER ANTENNAS- LOW BAND (1" MOUNT, UNITY GAIN, ALUMINUM)
50077-75.4-75.8	Transmitter Antenna- Omni-Directional, Unity Gain, Low Band, 1" Mount, Aluminum, 75.4-75.8 MHz.

For accessories, see Antenna Accessories Data Sheet SANTACC

For coaxial cables, see Coaxial Cable Data Sheet SCOAXIAL

Information Data Sheet

SANTENNA Specification Data Sheet

Specification sheets are provided for information only and are believed to be accurate. However, no responsibility is assumed by King-Fisher Company inc., for their use.
Information subject to change without notice.