



3150BEP Explosion Proof Strobe



Description:

The model 3150BEP family of single flash explosion proof UL listed strobe lights is designed for operation in hazardous areas rated Class I Group C & D (gas hazards) and Class II Group E, F, & G (dust hazards). Design features include a housing made of die cast high strength copper-free aluminum alloy with a baked powder epoxy finish, stainless steel hardware, o-ring sealed prestressed glass globe with double pitch acme threads for smooth assembly and ease of maintenance, and an optional guard which need not be removed for relamping. 3/4" conduit hubs are standard.



3150BEP/WM

3150BEP/PM

Construction/Design:

This beacon is UL Listed for combustible atmospheres as classified by the National Electric Code. The light source is a field replaceable single-flash xenon strobe lamp. The warning signal has built-in RFI filters to protect against radio interference and spike voltages. Voltage ranges are 12-74VDC, 120VAC, and 240VAC. Beacon is rated NEMA 4X*, with housing made of die cast high-strength copper-free aluminum alloy with baked powder epoxy finish, stainless steel hardware, O-ring sealed prestressed globe with double pitch acme threads for smooth assembly and ease of maintenance. Beacon includes a Lexan inner lens and tempered glass outer dome. Housing is designed to accommodate a dome guard (EPG).

*Type NEMA 4X enclosures are intended for indoor or outdoor use primarily to provide a degree of protection against corrosion, windblown dust and rain, splashing water, and hose-directed water; and to be undamaged by the formation of ice on the enclosure. they are not intended to provide protection against conditions such as internal condensation or internal icing.

Features:

- **Single Flash**
- **Xenon Strobe Lamp**
- **One Year Warranty on Lamp**
- **Available in Red Lens Color**
- **UL Listed**
- **NEMA 4X***

King-Fisher Company, inc.

2350 Foster Ave. Wheeling, IL 60090— 6574

Phone (847)398-7100 Fax (847)255-1507

Phone (888)687-5324(US) Fax (877)687-5324(US)

E-MAIL: sales@kfco.com

WEBSITE: www.kfci.us

Specifications:

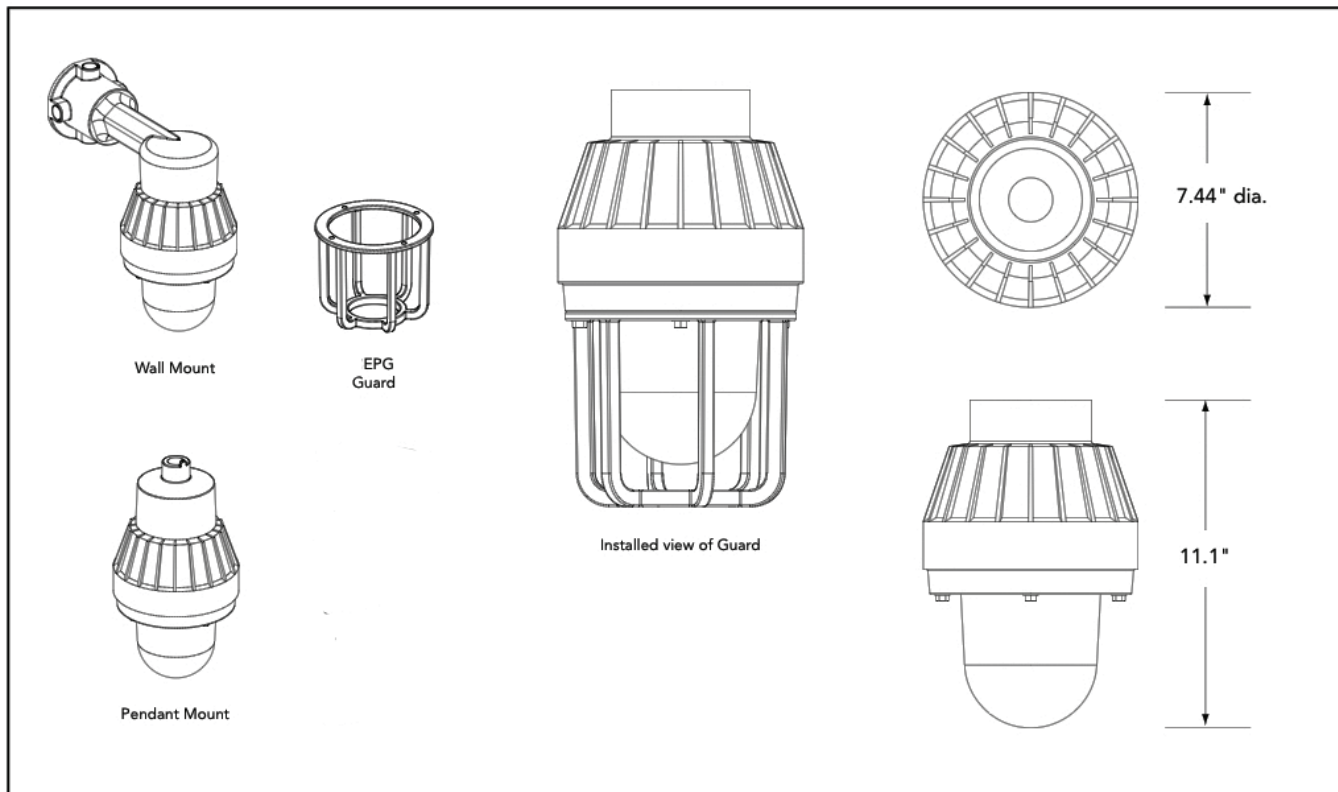
Lamp Type:	700-R1-COLOR Hermetically Sealed Xenon Strobe Lamp Assembly
Voltage and Amperage Draw:	12-74 VDC 1.25 A avg. @ 12 VDC tapering to 0.2 A avg. @ 74 VDC 120/240 VAC 0.17 A avg. @ 120 VAC (50/60 Hz) 0.075 A avg. @ 240 VAC
Power Supply Output:	1.3 Watts Standard, 11 Watts for 3150 9 joules per flash Standard, 8 joules per flash for 3150
Temperature Range:	-40°C to +55°C (-40°F to + 131°F)
Flash Rate:	85 Flashes per minute (Synchronization is not an option for device)
Temperature Code:	T6 – Class I, Groups C & D T4A – Class II, Groups E, F, & G
Intensity:	Red 40 Candela eff.
Size and Weight:	13.69" Tall x 7.44" Diam., 10 lbs., 6 oz. (347mm) (188mm) (4.7kg)

Ordering Information:

Model No.	Description
3150BEP/PM	Explosion Proof Red Strobe Pendant Mount
3150BEP/WM	Explosion Proof Red Strobe Wall Mount

Optional Accessories

EPG	Guard for Explosion Proof Strobe
-----	----------------------------------



Specification sheets are provided for information only and are believed to be accurate. However, no responsibility is assumed by King-Fisher Company inc., for their use.
Information subject to change without notice.