

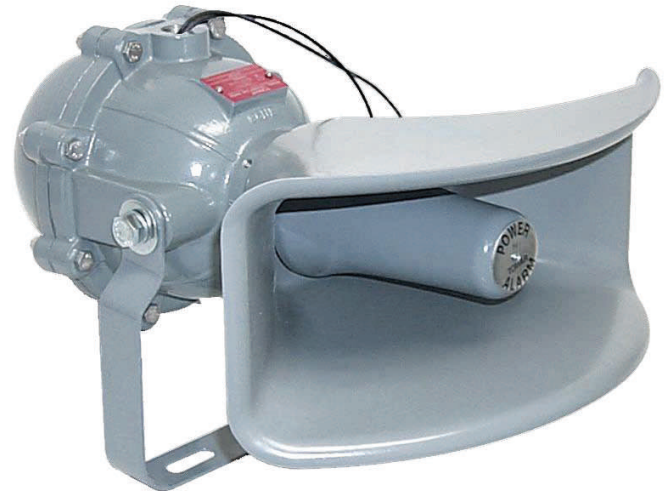
# KFCi

**1002WEP  
Explosion Proof Siren**



## Description:

The 1002WEP EXPLOSION PROOF POWER ALARM siren is a rain tight solid state audible alarm, that features a choice of 9 field selectable tones plus remote control selection of 4 tones with priority. All models of 1002WEP alarms are o-ring gasketed and are UL listed for Class I, Group C & D locations, NEMA Type 4x, and marine outside (salt water) use.



1002WEP

## Construction/Design:

The 1002WEP Explosion proof sounder is UL Listed Class I, Division I and II, Class II Division I and II, and Class III for use in specified hazardous locations and/or combustible atmospheres as classified by the National Electric Code. The explosion proof sounder has 9 integrated field selectable sounds plus remote control selection of 4 sounds with priority. Speaker housing is O-ring gasket and NEMA 4X and marine (salt water) rated. The Projector horn is a reflex type with polycarbonate re-entrant section. Voice coils are field-replaceable, and the operating temperature rating is -55C to 85C; -67F to 185F.

## Features:

- **Weatherproof Construction**
- **9 Selectable Tones**
- **UL Listed**
- **NEMA 4X Housing**

## **King-Fisher Company, inc.**

2350 Foster Ave. Wheeling, IL. 60090— 6574

Phone (847)398-7100 Fax (847)255-1507

Phone (888)687-5324(US) Fax (877)687-5324(US)

E-MAIL: [sales@kfco.com](mailto:sales@kfco.com)

WEBSITE: [www.kfci.us](http://www.kfci.us)

## Specifications:

<b>Volume:</b>	S7-110dbA @ 10 feet*
<b>Voltage and Amperage:</b>	24VDC draws 0.8A 120VAC draws 0.2A 50/60 Hz 240VAC draws 0.1A 50/60 Hz
<b>Enclosure Construction:</b>	Weatherproof construction, fiberglass horn, cast aluminum housing
<b>Mounting:</b>	Omni directional mounting bracket, 1/2" conduit access
<b>Ambient Temperature Range:</b>	-55° C to +85° C -67° F to +185° F
<b>Size and Weight:</b>	14" wide x 8" high x 18.5" long ( 356mm x 152mm x 445mm )
<b>Weight:</b>	19.5 lbs ( 8.85kg )

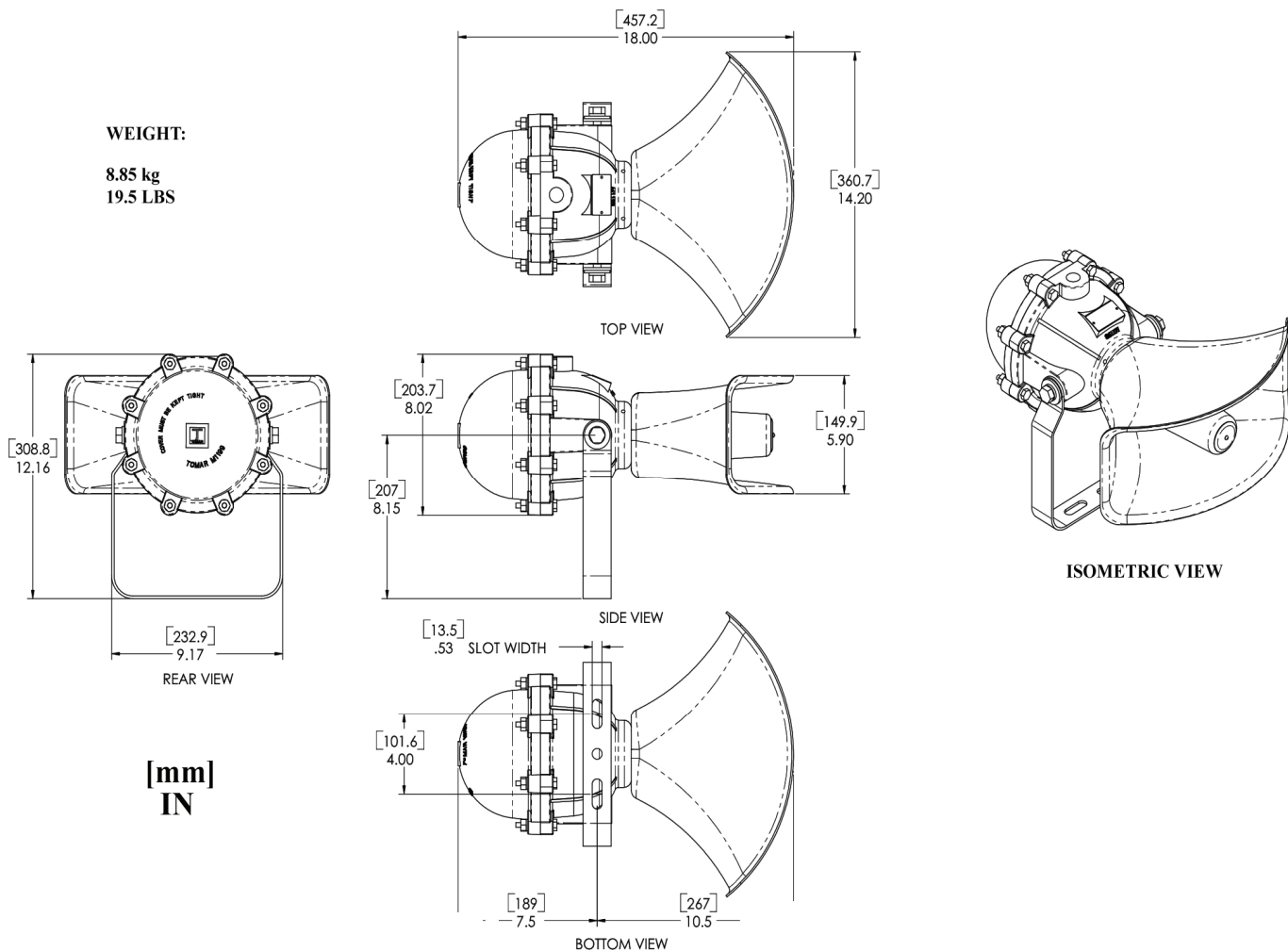
\* Synchronization is not an option for device

## Ordering Information:

Model No.	Description
1002WEP/24	Explosion Proof Horn (Grey)

## Information Data Sheet

S1002W	Specification Data Sheet
--------	--------------------------



Specification sheets are provided for information only and are believed to be accurate. However, no responsibility is assumed by King-Fisher Company inc., for their use.  
Information subject to change without notice.