



Kingfisher Company, inc.

KFRA-C Enclosures

Features:

- Modular
- Clean, seamless corner design
- Vertical, Slope and Desktop front frame styles
- Adjustable multi-formed mounting angles with rack unit markings
- Fully welded construction
- Finished with a high quality baked-on paint in a textured finish



Description:

KFRA-C Enclosures come in (3) options that house the KFRA-C Receiver and printer. These enclosures have a clean contemporary appearance and provide the benefits of economy, style and quality.

All Enclosures are fully welded cross member formed for a strong square corner design and come with two pair of adjustable zinc plated mounting angles constructed of 11 gauge steel. Each Enclosure comes with a pontoon base which can be used for floor tie down, caster or leveler mounting. The flush style doors feature a low profile lockable single point latch and quick removable lift on hinges. All sheet metal is finished with a high quality baking enamel with a smooth and textured finish.

ORDERING INFORMATION

KCi #	Model #	Description
40525-AB-AA	CADE	Enclosure—Desktop, for Single/Dual Receiver (requires separate battery enclosure)
40530-1-AB-AA	CASE	Enclosure—Free standing, Slope Front, for Single/Dual Receiver
40534-1-AB-AA	CAVE	Enclosure—Free standing, Vertical, for Single/Dual Receiver
40525-DTS		Specification Data Sheet

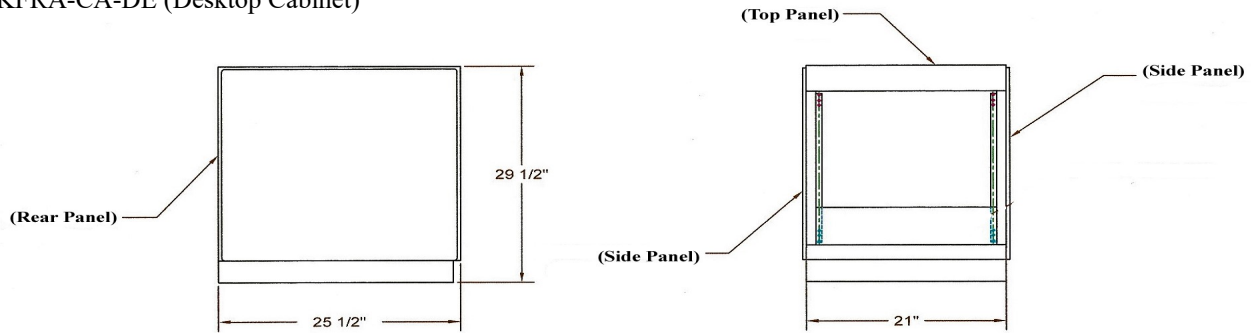
Kingfisher Company, inc., products must be used within their published specifications and must be PROPERLY specified, applied, installed, operated, maintained and operationally tested in accordance with their installation instructions at the time of installation and at least twice a year or more often and in accordance with local, state and federal codes, regulations and laws. Specification, application, installation, operation, maintenance and testing must be performed by qualified personnel for proper operation in accordance with all of the latest National Fire Protection Association (NFPA), Underwriters' Laboratories (UL), National Electrical Code (NEC), Occupational Safety and Health Administration (OSHA), local, state, county, province, district, federal and other applicable building and fire standards, guidelines, regulations, laws and codes including, but not limited to, all appendices and amendments and the requirements of the local authority having jurisdiction (AHJ).

NOTE: Due to continuous development of our products, specifications and offerings are subject to change without notice in accordance with Kingfisher Company, inc., standard terms and conditions

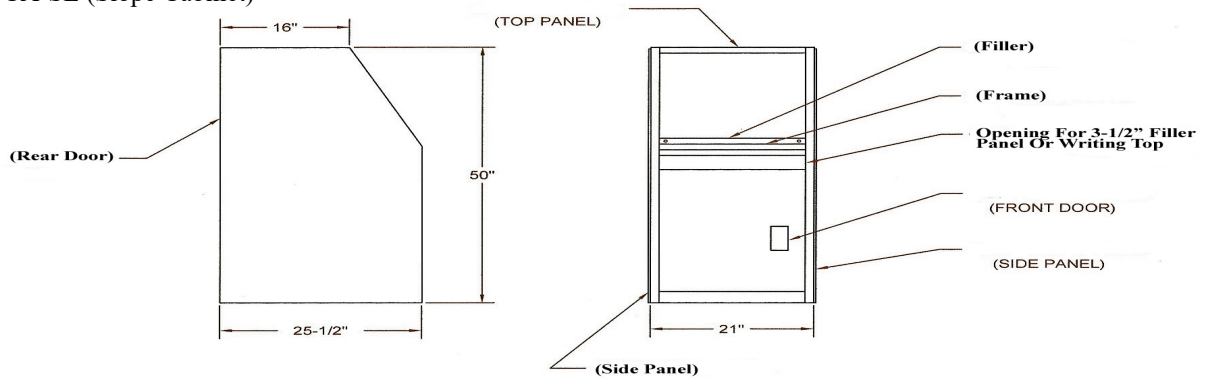
Kingfisher Company, inc. 81 Old Ferry Road - Lowell, MA 01854
Phone: 978-596-0214 Fax: 978-596-0217 www.kfci.com

DRAWINGS OR DIAGRAMS

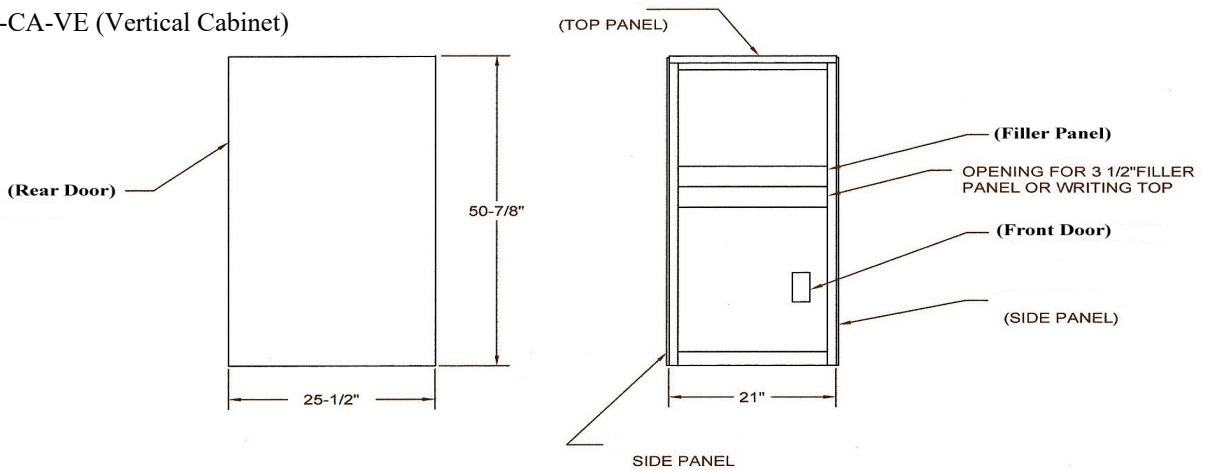
KFRA-CA-DE (Desktop Cabinet)



KFRA-CA-SE (Slope Cabinet)



KFRA-CA-VE (Vertical Cabinet)



Kingfisher Company, inc. 81 Old Ferry Road - Lowell, MA 01854
 Phone: 978-596-0214 Fax: 978-596-0217 www.kfci.com

BLANK PAGE LEFT
INTENTIONALY

Kingfisher Company, inc. 81 Old Ferry Road - Lowell, MA 01854
Phone: 978-596-0214 Fax: 978-596-0217 www.kfci.com