



Kingfisher Company, inc.

Hazardous Location Strobes



Features:

- Wide Input Voltage Range
- Built-In RFI Filters
- 10,000 Hour Strobe Xenon Lamp
- Available in five lens colors
- UL Listed (All Models)
- Lens Has Hermetic O-Ring Seal
- 12-80 VDC or 120 VAC Optional
- NEMA 4X Rated
- Mounts to a 1/2" Nipple or
- KFCI Flanged Mounting Base
- Class I, Div.2 Groups A, B, C, & D
- Class II, Div 2 Groups F & G
- Class III



490S Series

Description:

The KF490S Series Hazardous Location Strobe is a low profile, single flash, low cost strobe light which features a plug-in replaceable lamp and Lexan® lens. The high efficiency, solid state, power supply is fully potted in polyurethane for the ultimate in protection from moisture, vibration and exposure to high voltage.

Construction/Design:

The 490S Series Hazardous Location Strobe family is an enhanced strobe featuring a power supply which operates over a wide input voltage range of 12–80VDC or optional 120V. The supply has a regulated output so that the lamp brightness and flash remain constant when operated over the rated input voltage range. The power supply is potted in polyurethane for the ultimate in protection. The enclosure is all Lexan®, and the plug-in lamp is field replaceable. All units are polarity protected and have built-in filters to protect against radio interference and spike voltages.

Specifications:

Lamp Type:	Xenon Strobe Lens
Voltage and Amperage:	12-80VDC draws 0.4A average @ 12VDC tapering to 0.05A average @ 80VDC 16-24VAC draws 0.35A average 120VAC draws 0.07A average
Temperature Code:	Class 1 T2C 230 degrees Celsius Do not install where the operating temperature exceeds the ignition Temperature of the hazardous atmosphere.
Temperature Rating:	-40 C to +65C
Power Supply :	2.3 joules per flash Output 2.7 Watts (single flash)
Flash Rate:	60 to 80 flashes per minute
Light Output:	50 candela eff.(Clear) 40 candela eff.(Amber) 20 candela eff.(Blue/Green) 10 candela eff.(Red)
Size and Weight:	5" tall x 3" diameter, 0.6 lbs (127mm x 76mm x 0.27kg)
Encapsulation:	Fully potted in urethane material with no exposure to High Voltage possible.

NFPA Definitions:

Class I, Division 2.

A location (1) in which volatile flammable liquids or flammable gases are handled, processed or used, but in which the liquids, vapors or gases will normally be confined within closed containers or closed systems from which they can escape only in case of accidental rupture or breakdown of such containers or systems, or in case of abnormal operation of equipment; or (2) in which ignitable concentrations of gases or vapors are normally prevented by positive mechanical ventilation, and which might become hazardous through failure or abnormal operation of the ventilating equipment; or (3) that is adjacent to a Class I Division 1 location, and to which ignitable concentrations of gases or vapors might occasionally be communicated unless such communication is prevented by adequate positive-pressure ventilation from a source of clean air and effective safeguards against ventilation failure are provided. [See Section 500-4(b) of NFPA 70, National Electrical Code.]

Class II, Division 2.

A location in which (1) combustible dust will not normally be in suspension in the air in quantities sufficient to produce explosive or ignitable mixtures and dust accumulations are normally insufficient to interfere with the normal operation of electrical equipment or other apparatus; or

(2) dust may be in suspension in the air as a result of infrequent malfunctioning of handling or processing equipment and dust accumulations resulting there from may be ignitable by abnormal operation or failure of electrical equipment or other apparatus. [See Section 500-5 (b) of NFPA 70, National Electrical Code.]

Kingfisher Company, inc. 81 Old Ferry Road - Lowell, MA 01854
Phone: 978-596-0214 Fax: 978-596-0217 www.kfci.com

ORDERING INFORMATION

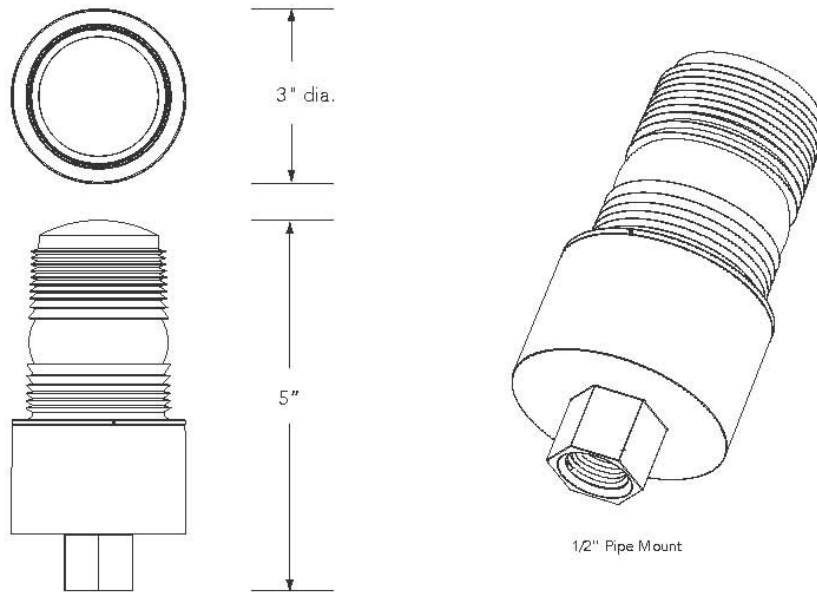
KCi #	Model #	Description
81106	KF490S-1280R	12-80 VDC Strobe Light, Red Lens,
81107	KF490S-1280A	12-80 VDC Strobe Light, Amber Lens,
81108	KF490S-1280G	12-80 VDC Strobe Light, Green Lens,
81109	KF490S-1280C	12-80 VDC Strobe Light, Clear Lens,
81110	KF490S-1280B	12-80 VDC Strobe Light, Blue Lens,
81111	KF490S-120R	120 VAC Strobe Light, Red Lens,
81112	KF490S-120A	120 VAC Strobe Light, Amber Lens,
81113	KF490S-120G	120 VAC Strobe Light, Green Lens,
81114	KF490S-120C	120 VAC Strobe Light, Clear Lens,
81115	KF490S-120B	120 VAC Strobe Light, Blue Lens,
Accessories (Replacement Lens)		
81125	KF470-L-R	Lens Assembly—RED
81125	KF470-L-R	Lens Assembly—AMBER
81125	KF470-L-R	Lens Assembly—GREEN
81125	KF470-L-R	Lens Assembly—CLEAR
81125	KF470-L-R	Lens Assembly—BLUE
Accessories (Replacement Lamp)		
81132	KF5001	Lamp—Replacement for KF490S Series Strobe
Information Data Sheet		
81106-DTS		Specification Data Sheet

King-Fisher Company, inc., products must be used within their published specifications and must be PROPERLY specified, applied, installed, operated, maintained and operationally tested in accordance with their installation instructions at the time of installation and at least twice a year or more often and in accordance with local, state and federal codes, regulations and laws. Specification, application, installation, operation, maintenance and testing must be performed by qualified personnel for proper operation in accordance with all of the latest National Fire Protection Association (NFPA), Underwriters' Laboratories (UL), National Electrical Code (NEC), Occupational Safety and Health Administration (OSHA), local, state, county, province, district, federal and other applicable building and fire standards, guidelines, regulations, laws and codes including, but not limited to, all appendices and amendments and the requirements of the local authority having jurisdiction (AHJ).

NOTE: Due to continuous development of our products, specifications and offerings are subject to change without notice in accordance with King-Fisher Company, inc., standard terms and conditions

Kingfisher Company, inc. 81 Old Ferry Road - Lowell, MA 01854
 Phone: 978-596-0214 Fax: 978-596-0217 www.kfci.com

DRAWINGS OR DIAGRAMS



FLANGED MOUNTING BASE, KFFMB, P/N 81120 is available.

Kingfisher Company, inc. 81 Old Ferry Road - Lowell, MA 01854
Phone: 978-596-0214 Fax: 978-596-0217 www.kfci.com