



Kingfisher Company, inc.

Weatherproof Notification Devices

Features:

- Compliance with the following requirements: NFPA, UFC, ANSI 117.1, OSHA Part 29, 1910.165, ADA
- Weatherproof with extended temperature range of -40°F to 150°F (-40°C to 66°C)*
- Dual Listed strobe models (UL 1638 and UL 1971)
- Industry's highest strobe candela options
- Synchronize using the Wheelock Sync Modules or panels with built-in Wheelock Patented Sync Protocol
- Models with field selectable tone, dBA and candela settings
- Wall or ceiling mounting options
- Surface or semi-flush mounting
- IN/OUT wiring termination accepting two #12-18 AWG wires at each terminal



Description:

All strobe models are UL dual listed - meeting both UL1638 and UL1971 requirements. As dual listed appliances, these weatherproof strobes, horn strobes and speaker strobes are listed for outdoor applications under UL 1638 as well as under UL 1971, the Standard for Safety Signaling Devices for Hearing Impaired. With an extended temperature range of -31°F to 150°F (-35°C to 66°C), Kingfisher Company inc's, weatherproof appliances meet or exceed UL outdoor test requirements for rain, humidity and corrosion resistance while providing multiple strobe intensity options, including the highest strobe ratings available for area coverage per NFPA 72 strobe spacing tables (up to 185 candela for wall mounting and 177 candela for ceiling mounting).

To enable weatherproof mounting, Kingfisher Company inc., provides the industry's widest choice of mounting options for surface or unique semi-flush installation. Models are available for surface mounting to King-Fisher Company, inc., weatherproof back-boxes on walls or ceilings.

The optional KFWP-KIT allows the weatherproof back-boxes (KFIOB, KFWPBB or KFWPSBB) to be mounted to a recessed electrical box for concealed conduit installation. For semi-flush installation, the KFWPA* and KFWFPA* kits allow a customer to mount the weatherproof appliances to a recessed electrical box without the need for an external weatherproof backbox. See the Back-boxes, Plates and Gaskets Table on page four of this document for a summarization of these mounting options and the required accessories.

All models may be synchronized using the Kingfisher Company, inc's, KFDSM Sync Modules, Kingfisher Company inc.'s NAC10 Power Supplies or other manufacturers panels incorporating the Wheelock Patented Sync Protocol. The horn output of horn strobes can be independently controlled on 2-wire circuits using the Wheelock patented sync protocol. KFMTWP horn strobe models are 4-wire appliances; the strobes can be synchronized while the audible can be connected to a coded fire alarm system or can be set to produce any of eight selectable tones.

Description Continued:

All models may be synchronized using the Kingfisher Company, inc.'s, KFDSM Sync Modules, Kingfisher Company inc.'s NAC10 Power Supplies or other manufacturers panels incorporating the Wheelock Patented Sync Protocol. The horn output of horn strobes can be independently controlled on 2-wire circuits using the Wheelock patented sync protocol. KFMTWP horn strobe models are 4-wire appliances; the strobes can be synchronized while the audible can be connected to a coded fire alarm system or can be set to produce any of eight selectable tones.

WARNING: PLEASE READ THESE SPECIFICATIONS AND ASSOCIATED INSTALLATION INSTRUCTIONS CAREFULLY BEFORE USING, SPECIFYING OR APPLYING THIS PRODUCT. CONTACT KINGFISHER COMPANY, inc., FOR THE CURRENT INSTALLATION INSTRUCTIONS. FAILURE TO COMPLY WITH ANY OF THESE INSTRUCTIONS, CAUTIONS OR WARNINGS COULD RESULT IN IMPROPER APPLICATION, INSTALLATION AND/OR OPERATION OF THESE PRODUCTS IN AN EMERGENCY SITUATION, WHICH COULD RESULT IN PROPERTY DAMAGE, AND SERIOUS INJURY OR DEATH TO YOU AND/OR OTHERS.

General Notes:

- Strobes are designed to flash at 1 flash per second minimum over their UL Listed Regulated Voltage Range.
- All candela ratings represent minimum effective Strobe intensity based on UL Standards 1971 and 1638 as indicated in candela ratings table.



KFRSSWP



KFET70WP



KFRSSWP



KFMTWP



KFMT



KFAH



KFASWP



KFET70WP



KFET10-10

Specifications:

Series	Candela Ratings						
	UL1971	UL1638@ 77° F	UL1638 @ -40° F	KFRSS, KFET70WP and KFMTWP UL Max Cur- rent (Strobe Only)	KFASWP		
					High	Medium	Low
2475	30**	180	115	0.138	0.168	0.155	0.150
MCWH	135	135	56	0.300	0.355	0.340	0.335
	185	185	77	0.420	0.480	0.465	0.460
MCCH	115	115	47	0.300	0.355	0.340	0.335
	177	177	73	0.420	0.480	0.465	0.460
24185	185	185	77	0.420	** Wall mount only		
24177	177	177	73	0.420			

Kingfisher Company, inc. 81 Old Ferry Road - Lowell, MA 01854
 Phone: 978-596-0214 Fax: 978-596-0217 www.kfci.com

Specifications Continued:

UL Max Current (Audible)	KFMTWP/ KFMT 24 VDC		KFMT 12 VDC	
	HI	STD	HI	STD
dBA				
Horn	0.108	0.044	0.177	0.034
Bell	0.053	0.024	0.095	0.020
March Time	0.104	0.038	0.142	0.034
Code 3 Horn	0.091	0.035	0.142	0.034
Code 3 Tone	0.075	0.035	0.105	0.021
Slow Whoop	0.098	0.037	0.142	0.035
Siren	0.104	0.036	0.152	0.030
Hi/Lo	0.057	0.025	0.114	0.026

UL Max Current	KFAH	
	24 VDC	12 VDC
High (99) dBA	0.080	0.192
Medium (95) dBA	0.043	0.108
Low (90) dBA	0.021	0.058

UL Reverberant dBA @ 10 feet							
Watts	1/8	1/4	1/2	1	2	4	8
KFET-1010	77	80	83	86	87	92	94
KFET70WP	78	81	84	87	90	93	95

Model	Agency Approvals				
	UL	MEA	CSFM	FM	BFP
Strobe					
KFRSSWP-2475	X	X	X	X	-
KFRSSWP-24MCWH	X	-	X	-	-
KFRSSWP-24MCCH	X	-	X	-	-
Audible Strobe					
KFASWP-2475	X	X	X	X	X
KFASWP-MCWH	X	-	X	-	-
KFASWP-MCCH	X	-	X	-	-
Multi-Tone Strobe					
KFMTWP-2475	X	X	X	X	-
KFMTWP-MCWH	X	-	X	-	-
KFMTWP-MCCH	X	-	X	-	-
Horns/Audibles					
KFAH-24WP	X	X	X	X	X
KFAH-12WP	X	X	X	X	X
KFMT-12/24	X	X	X	X	X
Speaker Strobe					
KFET70WP-2475	X	-	X	X	-
KFET70WP-185	X	-	X	X	-
KFET70WP-177	X	-	X	X	-
KFET70WP-115	X	-	X	X	-
KFET70WP-135	X	-	X	X	-

Kingfisher Company, inc. 81 Old Ferry Road - Lowell, MA 01854
 Phone: 978-596-0214 Fax: 978-596-0217 www.kfci.com



KFWFP



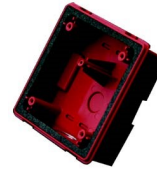
KFFPA



KFIOB



WPSBB



WPBB



KFWBB

Gasket Kit

KFWP-KIT

Flush Plates

KFWFPA-R Red

KFWFPA-W White

KFWFP-R Red

KFWFP-W White

Backboxes

KFIOB-R* Red

KFIOB-W* White

KFWPSBB-R* Red

KFWPSBB-W* White

KFWPBB-R* Red

KFWPBB-W* White

KFWBB-R Red

KFWBB-W White

Mounting Options:	Backboxes, Plates and Gasket Kits		
	Surface Mount		Flush Mount
	Exposed Conduit	Concealed Conduit	
KFRSSWP Strobes	KFWPSBB	KFWPSBB+KFWP-KIT	KFWFP
KFET70WP Speaker Strobe	KFIOB	KFIOB + KFWP-KIT	KFWFP
KFASWP Horn Strobes	KFWPBB	KFWPBB	KFWFPA
KFAHWP Horns	KFWBB		KFWFP
KFET1010 Speakers	KFWBB		KFWFP
KFMTWP Multi-Tone Horn Strobes	KFIOB	KFIOB + KFWP-KIT	KFWFP
KFMT Multi-tone Horn	KFIOB	KFIOB + KFWP-KIT	KFWFP

* IOB, WPSBB and WPBB models include weep holes and plug in the event that moisture may have entered the appliance.

ORDERING INFORMATION

KCi #	Model #	Description
Wall Mount Weatherproof Strobe		
80494	KFRSSWP-2475W-FR	STRB, WALL, WTHPRF, 24 VDC, 75CD, RD
Wall Mount Weatherproof Audible Strobe		
80493	KFASWP-24MCWH-FR	HN STRB, WALL, HIGH INT, WTHPRF, 24VDC, 3dB,135/185, RD
Wall Mount Weatherproof Multi-Tone Strobe		
80274	KFMTWP-2475W-FR	8 MULTITONE STRB, WALL, WTHPRF, 24 VDC, 75CD, RD
Wall Mount Weatherproof Speaker Strobe		
80137	KFET70WP-24185W-FR	8W SPKR STRB, WALL, WTHPRF, 24 VDC, 185CD, RD
81138	KFET70WP-2475-ALR	8W SPKR STRB, WALL, WTHPRF, 24 VDC, 75CD, ALERT, RD
81139	KFET70WP-2475W-FR	8W SPKR STRB, WALL, WTHPRF, 24 VDC, 75CD, RD

Kingfisher Company, inc. 81 Old Ferry Road - Lowell, MA 01854
Phone: 978-596-0214 Fax: 978-596-0217 www.kfci.com

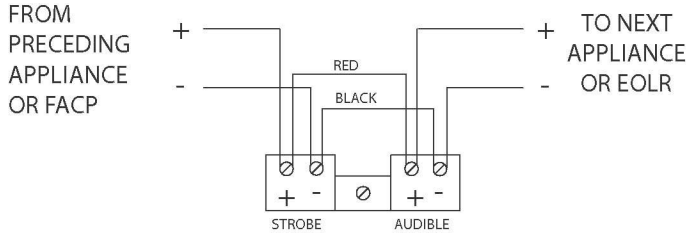
ORDERING INFORMATION CONTINUED

KCi #	Model #	Description
81142	KFET70WP-24185W-ALW	8W SPKR STRB, WALL, WTHPRD, 24 VDC, 185CD, ALERT, WHT
81143	KFET70WP-24185W-FW	8W SPKR STRB, WALL, WTHPRF, 24 VDC, 185CD, WHT
81140	KFET70WP-2475W-ALW	8W SPKR STRB, WALL, WTHPRF, 24 VDC, 75CD, ALERT, WHT
81141	KFET70WP-2475W-FW	8W SPKR STRB, WALL, WTHPRF, 24 VDC, 75CD, RD
Ceiling Mount Weatherproof Speaker Strobe		
81148	KFET70WP-24-177C-ALR	8W SPKR STRB, CEIL, WTHPRF, 24 VDC, 177CD, ALERT, RD
81149	KFET70WP-24-177C-FR	8W SPKR STRB, CEIL, WTHPRF, 24 VDC, 177CD, RD
81144	KFET70WP-2475C-ALR	8W SPKR STRB, CEIL, WTHPRF, 24 VDC, 75CD, ALERT, RD
81145	KFET70WP-2475C-FR	8W SPKR STRB, CEIL, WTHPRF, 24 VDC, 75CD, RD
81150	KFET70WP-24-177C-FW	8W SPKR STRB, CEIL, WTHPRF, 24 VDC, 177CD, WHT
81146	KFET70WP-2475C-ALW	8W SPKR STRB, CEIL, WTHPRF, 24 VDC, 75CD, ALERT, WHT
81147	KFET70WP-2475C-FW	8W SPKR STRB, CEIL, WTHPRF, 24 VDC, 75CD, WHT
Ceiling Mount Weatherproof Strobe		
80537	KFRSSWP-2475C-FR	STRB,CEIL,WTHPRF,24 VDC,75CD,RD
Ceiling Mount Weatherproof Horn Strobe		
80006	KFASWP-24MCCH-FR	HN STRB,CEIL,HIGH INT,WTHPRF,24VDC,3dB,115/177cd,RD
Wall or Ceiling Mount Weatherproof Speaker		
80196	KFET-1010-R	8W SPKR, WTHPRF, VANDALPROOF,24 VDC,RD
80216	KFET-1010-W	8W SPKR, WTHPRF, VANDALPROOF,24 VDC,WHT
Ceiling Mount Weatherproof Horn Strobe		
80005	KFASWP-2475C-FR	HN STRB,CEIL,WTHPRF,24VDC,3dB,75cd,RD
Wall Mount Weatherproof Horn Strobe		
80004	KFASWP-2475W-FR	HN STRB,WALL,WTHPRF,24VDC,3dB,75cd,RD
Backboxes, Plates and Gasket Kits		
80486	KFWPSBB-R	BACKBOX FOR SERIES RSSWP,WTHPRF,RD
80488	KFIOB-R	BACKBOX,SURFACE,IN/OUT,RD
80485	KFWPBB-R	BACKBOX FOR SERIES ASWP,WTHPRF,RD
80484	KFWBB-R	BACKBOX,OUTDOOR,RD
80603	KFWFP-R	MOUNTING PLATE.FLUSH,OUTDOOR,RD
80304	KFWFPA-R	MOUNTING PLATE,FLUSH,OUTDOOR,ASWP ONLY,RD
80602	KFIOB-W	BACKBOX,SURFACE,IN/OUT,WHT
80165	KFWBB-W	BACKBOX,OUTDOOR,WHITE
80494-DTS		Specification Data Sheet

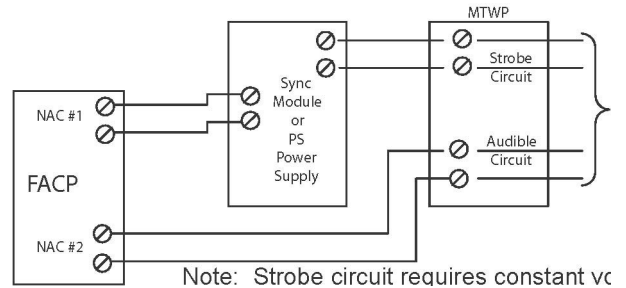
Kingfisher Company, inc. 81 Old Ferry Road - Lowell, MA 01854
 Phone: 978-596-0214 Fax: 978-596-0217 www.kfci.com

DRAWINGS OR DIAGRAMS

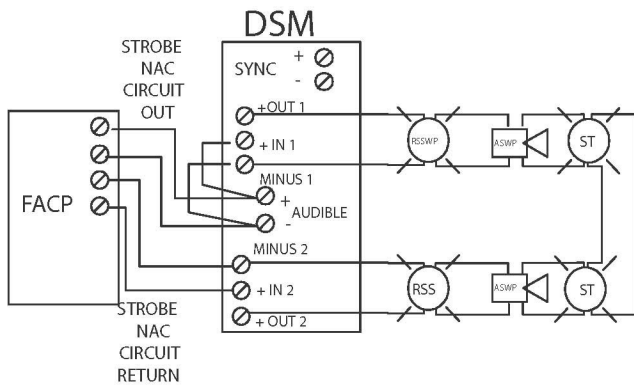
Series KFMTWP Audible appliance and strobe operate in unison. Red and Black Shunt-wires are supplied.



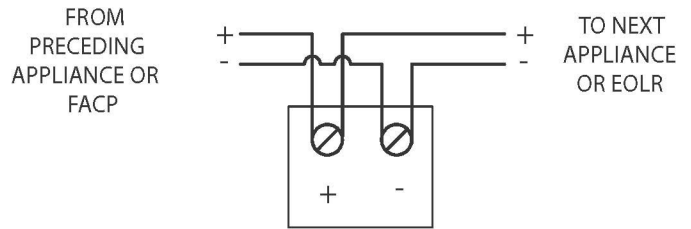
Series KFMTWP Appliances Synchronized Strobe Operation with coded FACP



Series KFRSSWP/KFASWP Appliances Synchronized w/ DSM module single class "A" NAC Circuit



Series KFRSSP, KFASWP, KFMTWP and KFMT Appliances



King-Fisher Company, inc., products must be used within their published specifications and must be PROPERLY specified, applied, installed, operated, maintained and operationally tested in accordance with their installation instructions at the time of installation and at least twice a year or more often and in accordance with local, state and federal codes, regulations and laws. Specification, application, installation, operation, maintenance and testing must be performed by qualified personnel for proper operation in accordance with all of the latest National Fire Protection Association (NFPA), Underwriters' Laboratories (UL), National Electrical Code (NEC), Occupational Safety and Health Administration (OSHA), local, state, county, province, district, federal and other applicable building and fire standards, guidelines, regulations, laws and codes including, but not limited to, all appendices and amendments and the requirements of the local authority having jurisdiction (AHJ).

NOTE: Due to continuous development of our products, specifications and offerings are subject to change without notice in accordance with King-Fisher Company, inc., standard terms and conditions

Kingfisher Company, inc. 81 Old Ferry Road - Lowell, MA 01854
 Phone: 978-596-0214 Fax: 978-596-0217 www.kfci.com