



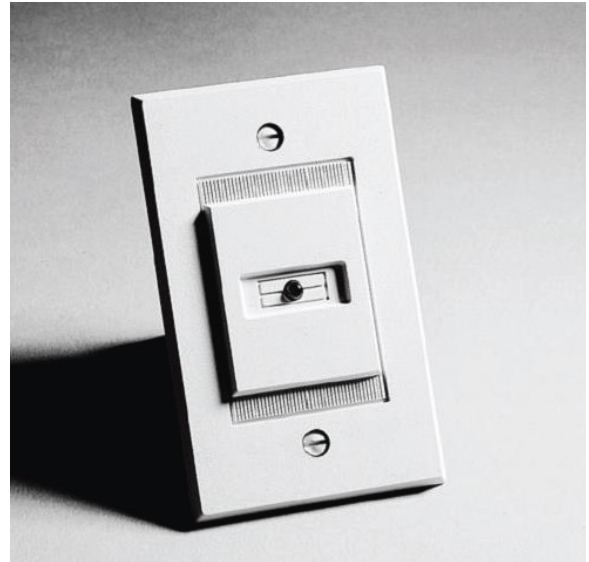
Kingfisher Company, inc.

RA400Z Remote Annunciator



Features:

- Sleek, Low-Profile Design
- Analog Communications
- Low Standby Current
- Rotary Address Switches
- UL Listed and FM Approved
- Easily Mounted in a Single-Gang Box
- Designed For Both Conventional and Intelligent Applications



Description:

The RA400Z Remote LED is an optional visual annunciator designed to provide remote status indication of alarm for smoke detectors, and duct detectors. The 2 x 4 in. (51 mm x 102 mm) beige annunciator mounts in a standard, single-gang box. The RA400Z Remote Annunciators is a polarized device designed for both conventional and intelligent applications. The RA400Z Remote LED has been designed using an active current regulator so that the maximum current required from the system is 7 mA when the input voltage is within the specified voltage range.

Specifications:

Voltage Range:

Conventional System: 3.1 to 32 VDC — Do not break tab.

Intelligent System: 18 to 32 VDC — Break tab. NOTE 1

Maximum Alarm Current: 10 mA maximum.

Operating Temperature Range: -10° to 60°C (14° to 140°F)

ORDERING INFORMATION

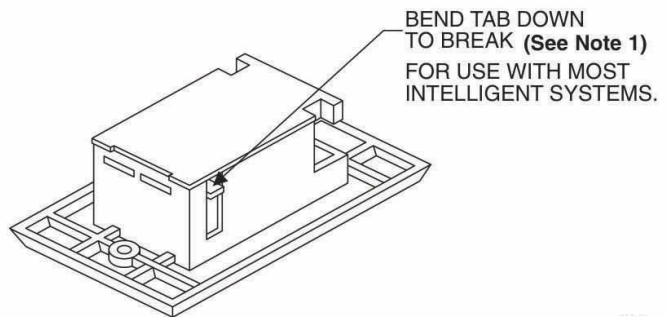
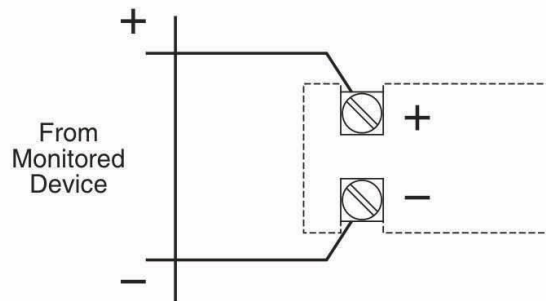
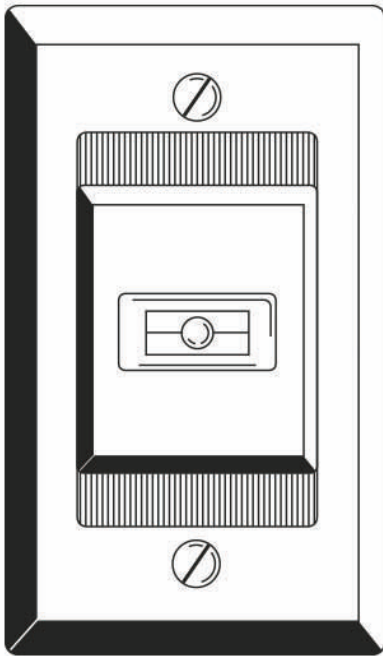
KCi #	Model #	Description
52841	SRA400	Remote Alarm LED—Single-Gang Mounting
52841-DTS		Specification Data Sheet

Kingfisher Company, inc., products must be used within their published specifications and must be PROPERLY specified, applied, installed, operated, maintained and operationally tested in accordance with their installation instructions at the time of installation and at least twice a year or more often and in accordance with local, state and federal codes, regulations and laws. Specification, application, installation, operation, maintenance and testing must be performed by qualified personnel for proper operation in accordance with all of the latest National Fire Protection Association (NFPA), Underwriters' Laboratories (UL), National Electrical Code (NEC), Occupational Safety and Health Administration (OSHA), local, state, county, province, district, federal and other applicable building and fire standards, guidelines, regulations, laws and codes including, but not limited to, all appendices and amendments and the requirements of the local authority having jurisdiction (AHJ).

NOTE: Due to continuous development of our products, specifications and offerings are subject to change without notice in accordance with Kingfisher Company, inc., standard terms and conditions

Kingfisher Company, inc. 81 Old Ferry Road - Lowell, MA 01854
Phone: 978-596-0214 Fax: 978-596-0217 www.kfci.com

DRAWINGS OR DIAGRAMS



Kingfisher Company, inc. 81 Old Ferry Road - Lowell, MA 01854
Phone: 978-596-0214 Fax: 978-596-0217 www.kfci.com

BLANK PAGE LEFT
INTENTIONALLY

Kingfisher Company, inc. 81 Old Ferry Road - Lowell, MA 01854
Phone: 978-596-0214 Fax: 978-596-0217 www.kfci.com