

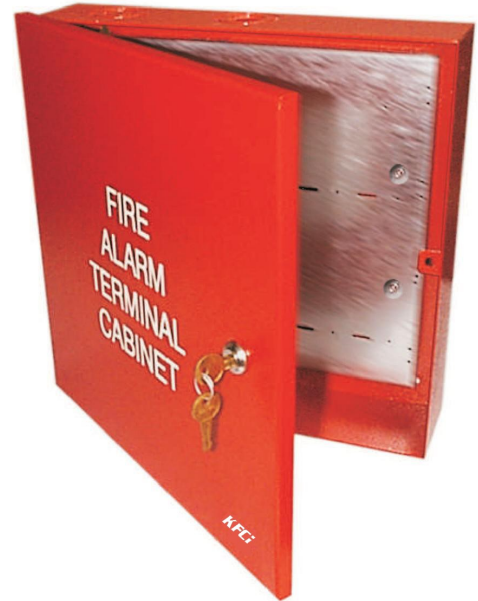


Kingfisher Company, inc.

AC2 Accessory Cabinet Enclosure

Features:

- 16 gauge steel construction
- Durable red textured finish
- Lift-a-way hinge with CAT211 keyed door lock
- 20 gauge galvanized back plate with mounting hole matrix
- Internal threaded grounding lug screw in back box
- Grounding stud screw on cover
- Wall mounting holes



Description:

The AC2 Accessory Cabinet Enclosure, is constructed of 16 gauge cold rolled steel and finished with a durable red textured, heat-resistant powder coat finish. The front cover features a removable formed lift-a-way hinge and secured with a CAT 211 keyed door lock.

Custom finishes and labeling available. EMT knockout 1/2., 3/4., 1., 1 1/2. and 2. clusters embedded in cabinet. The removable back plate is a 20 gauge galvanized plate mounted on studs to the back box. The back plate clears the back box by 1/2. to accommodate for mounting hardware on the back plate. Custom equipment mounting can be easily accomplished with the use of standard hole matrix or self tapping drill screws. Cover and back box include a threaded grounding stud and lug.

Specifications:

Dimensions:	13.75. wide x 13.75. high x 3 1/4" deep
Weight:	12.55 lbs.
Key/Lock:	CAT211
Construction:	16 gauge steel
Other:	1/2", 3/4", 1", 1 1/2" and 2" EMT knockout clusters

ORDERING INFORMATION

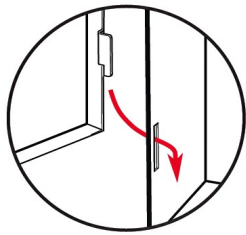
KCi #	Model #	Description
52129	KFAC2	Enclosure—Holds up to four (4) modules using 52130 multi-module bracket and/or 52131 fast rail bracket, 211 Key.
52130	KFMMB-2	Bracket—For mounting in 52129 enclosure, or FACP, holds two (2) modules.
52131	KFFR2	Bracket—For mounting in 52129 enclosure, or FACP, holds two (2) modules.
52129-DTS		Specification Data Sheet

Kingfisher Company, inc., products must be used within their published specifications and must be PROPERLY specified, applied, installed, operated, maintained and operationally tested in accordance with their installation instructions at the time of installation and at least twice a year or more often and in accordance with local, state and federal codes, regulations and laws. Specification, application, installation, operation, maintenance and testing must be performed by qualified personnel for proper operation in accordance with all of the latest National Fire Protection Association (NFPA), Underwriters' Laboratories (UL), National Electrical Code (NEC), Occupational Safety and Health Administration (OSHA), local, state, county, province, district, federal and other applicable building and fire standards, guidelines, regulations, laws and codes including, but not limited to, all appendices and amendments and the requirements of the local authority having jurisdiction (AHJ).

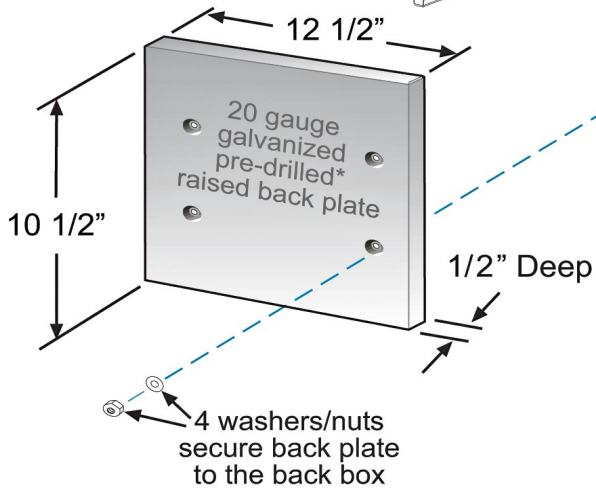
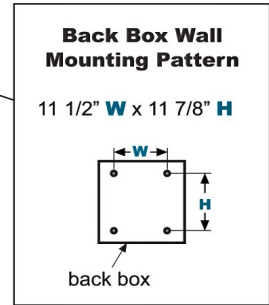
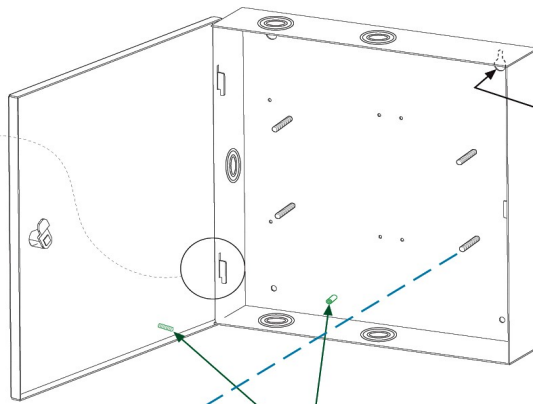
NOTE: Due to continuous development of our products, specifications and offerings are subject to change without notice in accordance with Kingfisher Company, inc., standard terms and conditions

Kingfisher Company, inc. 81 Old Ferry Road - Lowell, MA 01854
Phone: 978-596-0214 Fax: 978-596-0217 www.kfci.com

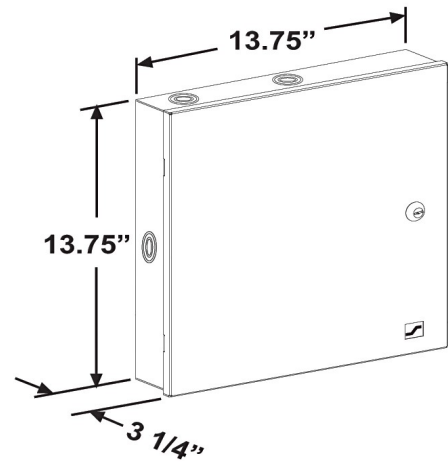
DRAWINGS OR DIAGRAMS



Removable formed lift-a-way hinge
Detail



*Not to scale



Kingfisher Company, inc. 81 Old Ferry Road - Lowell, MA 01854
Phone: 978-596-0214 Fax: 978-596-0217 www.kfci.com

BLANK PAGE LEFT
INTENTIONALY

Kingfisher Company, inc. 81 Old Ferry Road - Lowell, MA 01854
Phone: 978-596-0214 Fax: 978-596-0217 www.kfci.com