

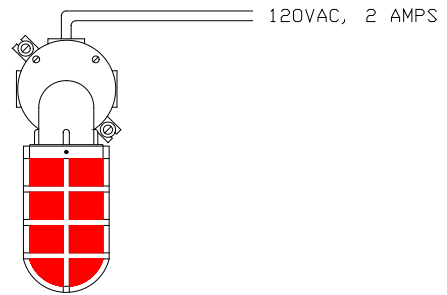
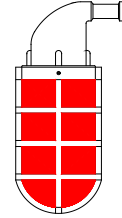


Kingfisher Company, inc.

Red Location Light

Features:

- Ruby Red Color
- 150 Watt Max
- Cylindrical, Round Bottom
- Electrostatically applied epoxy/polyester finish
- Enclosed and gasketed fixture
- Copper-free Aluminum (less than 1/5 of 1%) construction with electrostatically applied epoxy/polyester finish resists corrosion.
- Tempered Glass Globe



Description:

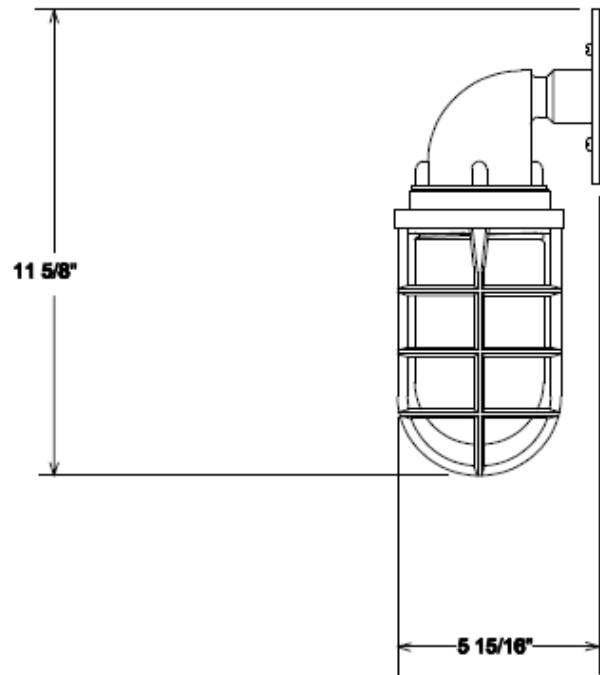
Vapor-tight Red Location Light. For Location requiring durable, protected lighting fixtures, wet and dirt laden locations such as industrial environments requiring enclosed and gasketed (vapor-tight) fixtures, lighting walkways, tunnels, loading docks, exits, stairwells, fixtures intended for base up mounting, and for heat resistant glass globes recommended for wet locations.

Specifications:

Power: 150 Watts at 125C°
Input: 120 VAC
Power Usage: 2 Amps
Size: Medium Base
Temperature: Up to 40C° Ambient Temperature
Paint: Gray polyester power

Listings:

UL 1598 listed for damp location
 NEMA 3 and 4



ORDERING INFORMATION

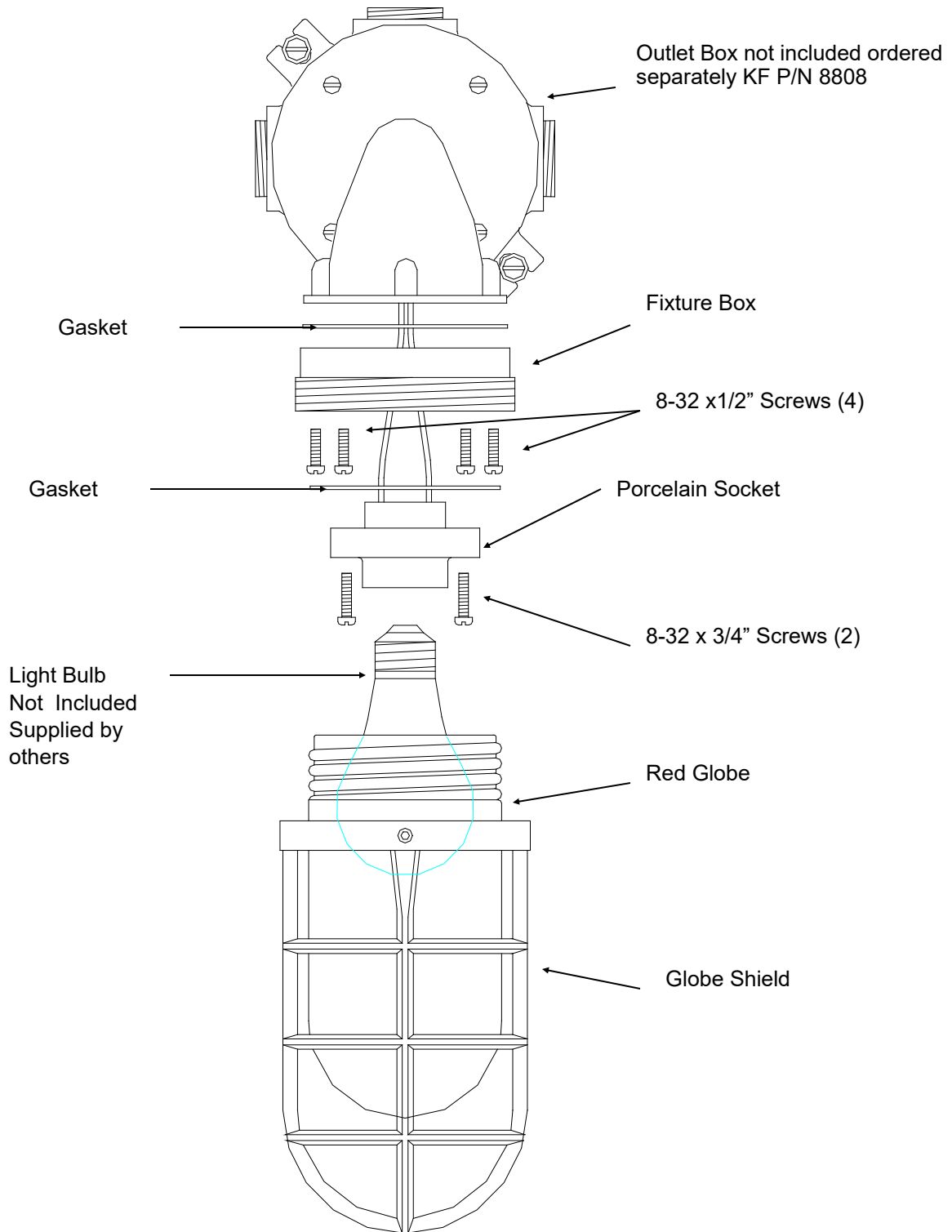
KCi #	Model #	Description
81002	MBLP-2	Red Location Light Assembly for Pedestal and pole
81001	MBLP-1	Red Location Light Assembly for Wooden pole
50063		3/4" Stainless Steel Support banding
50064		3/4" Stainless Steel Buckle for Support banding
50062		Stainless Steel Banding Crimp tool
75097-1		Installation Manual
81002-DTS		Specification Data Sheet

Kingfisher Company, inc., products must be used within their published specifications and must be PROPERLY specified, applied, installed, operated, maintained and operationally tested in accordance with their installation instructions at the time of installation and at least twice a year or more often and in accordance with local, state and federal codes, regulations and laws. Specification, application, installation, operation, maintenance and testing must be performed by qualified personnel for proper operation in accordance with all of the latest National Fire Protection Association (NFPA), Underwriters' Laboratories (UL), National Electrical Code (NEC), Occupational Safety and Health Administration (OSHA), local, state, county, province, district, federal and other applicable building and fire standards, guidelines, regulations, laws and codes including, but not limited to, all appendices and amendments and the requirements of the local authority having jurisdiction (AHJ).

NOTE: Due to continuous development of our products, specifications and offerings are subject to change without notice in accordance with Kingfisher Company, inc., standard terms and conditions

Kingfisher Company, inc. 81 Old Ferry Road - Lowell, MA 01854
 Phone: 978-596-0214 Fax: 978-596-0217 www.kfci.com

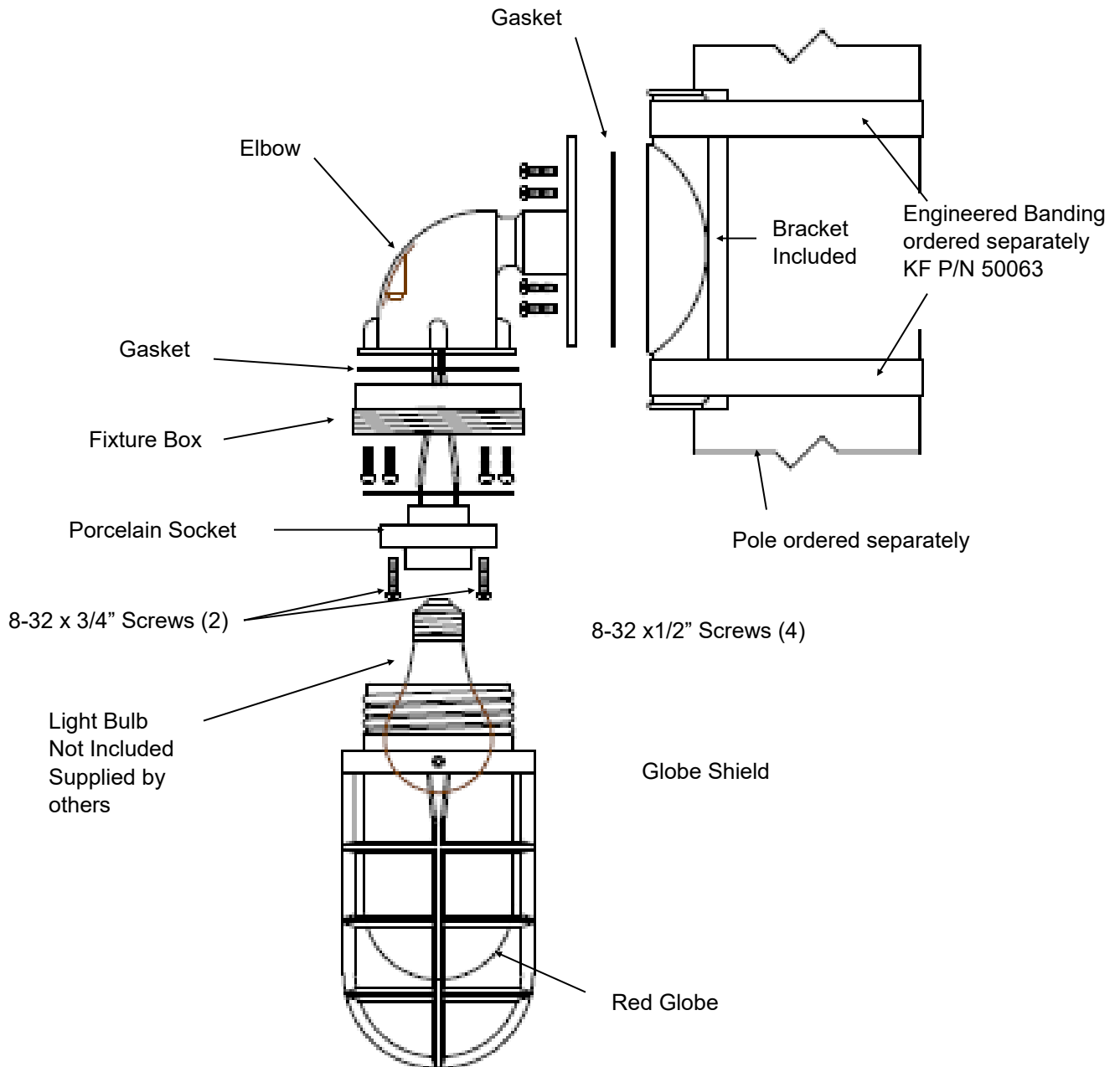
DRAWINGS OR DIAGRAMS



Note: Use Manual 75097-1 for Installation.

Kingfisher Company, inc. 81 Old Ferry Road - Lowell, MA 01854
Phone: 978-596-0214 Fax: 978-596-0217 www.kfci.com

DRAWINGS OR DIAGRAMS



Note: Use Manual 75097-1 for Installation.

Kingfisher Company, inc. 81 Old Ferry Road - Lowell, MA 01854
Phone: 978-596-0214 Fax: 978-596-0217 www.kfci.com