



Kingfisher Company, inc.

FX2003R/T Remote Annunciators KFRAX-LCD / KFRAX-1048

Features:

- Large 4 line X 20 character back-lit LCD display
- Provides the same functions as the main display of the fire alarm panel
- 4 Alarm switches and LEDs
- Can be programmed to show different points than main fire panel
- Can be used as a driver module for standard LED annunciation
- LED for Signal Silence, Fire Drill, System Reset and Lamp Test



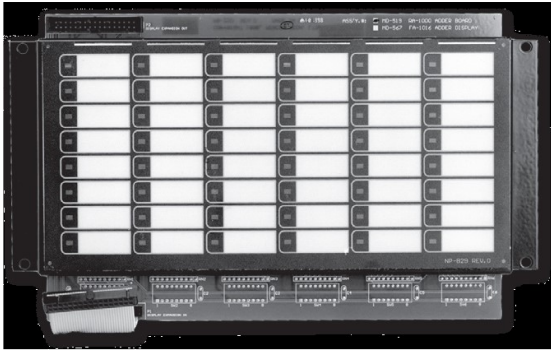
KFRAX-LCD

Description:

The KFRAX-LCD Remote Shared Display is a remote annunciator that provides the same functions as the main display on the FX2003 Addressable Transmitter panel, less 16 zone LEDs. It is equipped with a large 4 line x 20 character back-lit alphanumeric LCD display which uses a simple menu system complete with a directional keypad and switches for Enter, Menu, Cancel and Info. It also has 4 Alarm switches and LEDs as well as common control switches and LEDs for Signal Silence, Fire Drill, System Reset, Lamp Test, General Alarm and Acknowledge. The KFRAX-LCD can be programmed to show different points than the main panel. In addition to being a remote annunciator, the KFRAX-LCD can also be used as a driver module for standard LED annunciation or reduced zone annunciation (different from the main panel annunciation), graphic drivers programmed different from the main annunciators, programmable switch modules with their unique configuration and fan damper control also with their unique configuration.

Each time a different type of annunciation configuration is required or a different location is required an additional KFRAX-LCD will be needed. The KFRAX-LCD allows for the control switches to be disabled on a per function basis (via laptop configurator) for areas that do not require certain Common Control functions to be remotely located from the Fire Alarm Control Panel. The KFRAX-LCD occupies one display position in the KFBB-1000 or KFBB-5000 enclosures.

KFRAX-1048



Description:

The KFRAX-1048 Programmable Zone LED Annunciator Module provides 48 programmable bi-colored LEDs. The KFRAX-1048 is used if additional LED zone annunciation is required. The addressable points can be grouped together to light one LED, or they can be part of many groups and therefore may turn on many LEDs. The circuits can be selected as either Alarm to illuminate the red LED or for Supervisory to illuminate the amber LED. Any zone trouble condition will be displayed on the Shared Display. The KFRAX-1048 can be connected to the main panel or it can be connected to the KFRAX-LCD Remote Shared Display if a programmable remote LED annunciator is required. It takes up two frames when connected to either the main or remote shared display. The KFRAX-1048 is used in conjunction with the KFRAX-LCD when a different type of annunciation configuration or a different location is required. The KFRAX-1048 occupies one display position in the KFBB-1000 or KFBB-5000 enclosures.

Features:

- 48 programmable bi-colored LED's
- Takes one display position in the KFBB -1000 or KFBB-5000 Enclosures
- Connects via ribbon cable

Table 1 Maximum Wiring Run to Last Annunciator

Amperes	18 AWG		16 AWG		14 AWG		12 AWG		Max Loop Resistance Ohms
	ft	m	ft	m	ft	m	ft	m	
0.12	1180	360	1850	567	3000	915	4250	1296	15
0.30	470	143	750	229	1200	366	1900	579	6
0.60	235	71	375	114	600	183	850	259	3
0.90	156	47	250	76	400	122	570	174	2
1.20	118	36	185	56	300	91	425	129	1.5
1.50	94	29	150	46	240	73	343	105	1.2
1.70	78	24	125	38	200	61	285	87	1.0

Annunciator/Programmable Module Enclosures

Model	Height	Width	Depth	Specifications
KFBB-1001	9.0"	12.75"	1.2"	18 GA. (0.048") thick CRS
KFBB-1002	18"	12.75"	1.2"	18 GA. (0.048") thick CRS
KFBB-1003	26.4"	12.75"	1.2"	18 GA. (0.048") thick CRS Door is 16 GA (0.060")
KFBB-1008	33"	22.5"	1.2"	16 GA. (0.060") thick CRS Door is 14 GA (0.075")
KFBB-1012	45"	22.5"	1.2"	16 GA. (0.060") thick CRS Door is 14 GA (0.075")

Add R for Red, and W for White

Kingfisher Company, inc. 81 Old Ferry Road - Lowell, MA 01854
 Phone: 978-596-0214 Fax: 978-596-0217 www.kfci.com

Specifications:

KFRAX-LCD Remote FX-2003R/T Shared Display LCD Annunciator

Voltage: 24V DC nominal, range of 20 to 39V DC.

Current: Standby: 100 mA Max.,

All LED's "On": 150 mA Max

Provides exact functions as the FX-2000 main display.

Interconnects via one ribbon cable (or wiring) to the FX-2003R/T Fire Alarm Control Panel or to previous KFRAX-LCD.

KFRAX-1048TZ Adder Annunciator Chassis (48 Display Points)

Current: Standby: 15 mA Max.,

All LEDs On: 100 mA Max

Interconnect via one ribbon cable from KFRAX-LCD or to previous KFRAX-1048TZ or KFIPS-2424 to the next KFRAX-1048TZ or KFIPS-2424.

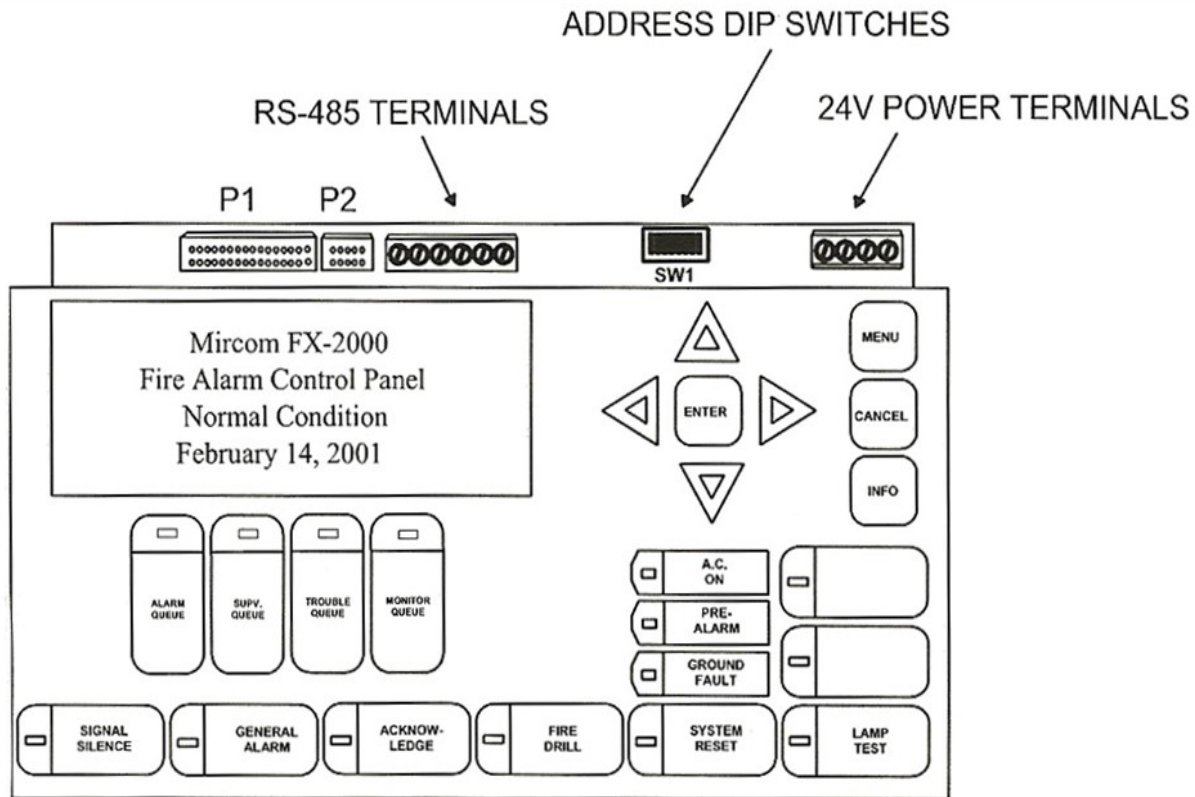
Annunciation of up to 48 additional points.

ORDERING INFORMATION

KCi #	Model #	Description
52154	KFRAX-1048	Expansion Annunciator Chassis
52111	KFRAX-LCD	Remote Shared Display
52270	KFBB-1001	Beige Door, Semi-flush Backbox, houses 1 module, with key-lock door
52115	KFBB-1001-R	Red Door, Semi-flush Backbox, houses 1 module, with key-lock door
52116	KFBB-1001WP-R	Red Door, Semi-flush Weatherproof Backbox, houses 1 module, with key-lock door
52155	KFBB-1002-R	Red Door, Semi-flush Backbox, houses 2 modules, with key-lock door
52156	KFBB-1002WP-R	Red Door, Semi-flush Weatherproof Backbox, houses 2 modules, with key-lock door
52157	KFBB-1003-R	Red Door, Semi-flush Backbox, houses 3 modules, with key-lock door
52158	KFBB-1008-R	Red Door, Semi-flush Backbox, houses 8 module, with key-lock door
52159	KFBB-1012-R	Red Door, Semi-flush Backbox, houses 12 modules, with key-lock door
52117	KFTH-101	Thermostat Heater for Sub-Zero Applications, Requires separate 24VAC Power Source
52118	KFPS-24	24 VAC Transformer
52114-DTS		Specification Data Sheet

Kingfisher Company, inc. 81 Old Ferry Road - Lowell, MA 01854
Phone: 978-596-0214 Fax: 978-596-0217 www.kfci.com

DRAWINGS OR DIAGRAMS



Attention: Accidentally connecting any of the 24 VDC wires to the RS-485 wiring will result in damage to the annunciator and/or to the fire alarm control panel to which it is connected.

Kingfisher Company, inc., products must be used within their published specifications and must be PROPERLY specified, applied, installed, operated, maintained and operationally tested in accordance with their installation instructions at the time of installation and at least twice a year or more often and in accordance with local, state and federal codes, regulations and laws. Specification, application, installation, operation, maintenance and testing must be performed by qualified personnel for proper operation in accordance with all of the latest National Fire Protection Association (NFPA), Underwriters' Laboratories (UL), National Electrical Code (NEC), Occupational Safety and Health Administration (OSHA), local, state, county, province, district, federal and other applicable building and fire standards, guidelines, regulations, laws and codes including, but not limited to, all appendices and amendments and the requirements of the local authority having jurisdiction (AHJ).

NOTE: Due to continuous development of our products, specifications and offerings are subject to change without notice in accordance with Kingfisher Company, inc., standard terms and conditions.

Kingfisher Company, inc. 81 Old Ferry Road - Lowell, MA 01854
 Phone: 978-596-0214 Fax: 978-596-0217 www.kfci.com