



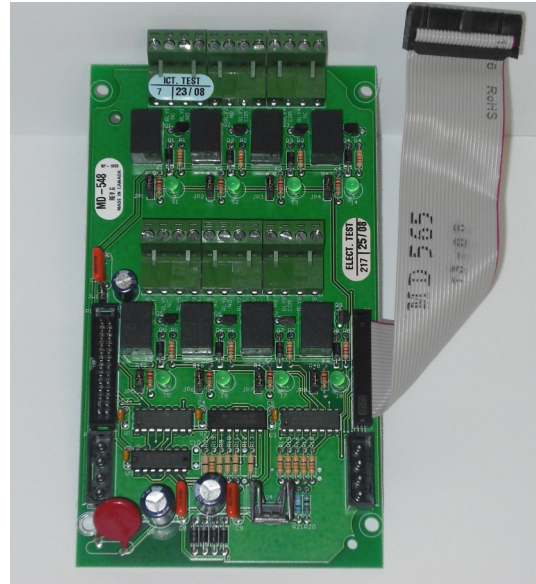
Kingfisher Company, inc.

8 Relay Adder Module KFRM-1008A



Features:

- Provides eight individual configurable relays per module
- Occupies one module slot in the FX2003 Series Fire Panel main or expander chassis
- Comes with removable terminal blocks for easy wiring an service
- Easy to install
- Each relay has a built-on status LED



KFRM-1008A

Description:

The KFRM-1008A provides the FX-2003R/T with 8 individual configurable relays per module.

Each relay provides one Form C contact rated at 28 VDC @1 Amp (resistive load). The KFRM-1008A occupies one module slot in the FX-2003 R/T main or expander chassis.

Specifications:

Normal Operating Current:	Standby: .025A Alarm: .015A
Resistive Load per relay:	Rated for 28 VDC @ 1 Amp max.
Temperature Range:	0°C to 49°C (32°F to 120°F)
Humidity:	10% to 93% Non-condensing
Weight:	0.75 lbs 0.34 kg

ORDERING INFORMATION

Mfg. Part #	Model #	Description
52100	KFRM-1008A	8 Auxiliary Programmable Relay Adder Module
52100-DTS		Specification Data Sheet

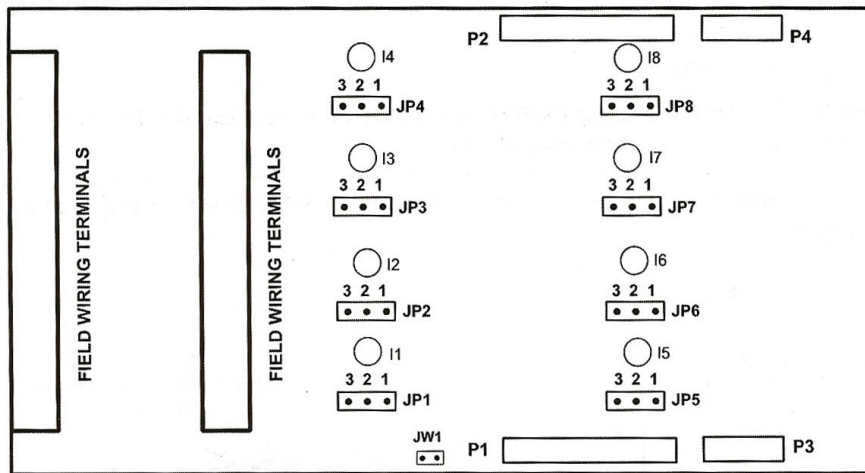
Kingfisher Company, inc., products must be used within their published specifications and must be PROPERLY specified, applied, installed, operated, maintained and operationally tested in accordance with their installation instructions at the time of installation and at least twice a year or more often and in accordance with local, state and federal codes, regulations and laws. Specification, application, installation, operation, maintenance and testing must be performed by qualified personnel for proper operation in accordance with all of the latest National Fire Protection Association (NFPA), Underwriters' Laboratories (UL), National Electrical Code (NEC), Occupational Safety and Health Administration (OSHA), local, state, county, province, district, federal and other applicable building and fire standards, guidelines, regulations, laws and codes including, but not limited to, all appendices and amendments and the requirements of the local authority having jurisdiction (AHJ).

NOTE: Due to continuous development of our products, specifications and offerings are subject to change without notice in accordance with Kingfisher Company, inc., standard terms and conditions

Kingfisher Company, inc. 81 Old Ferry Road - Lowell, MA 01854
Phone: 978-596-0214 Fax: 978-596-0217 www.kfci.com

DRAWINGS OR DIAGRAMS

KFRM-1008A 8 Relay Adder Module



P2: Data cable goes to P5 (on the FA-1000) or to P6 (on the FX-2000) of main fire alarm module, or to FX-2000 loop controller module, or to previous adder modules.

P1: Data connector for next adder module.

P4: Power connector goes to P8 of the FX-2000 (P6 of the FA-1000) main fire alarm module, or to P2 of FX-2000 loop controller module, or to previous adder module.

P3: Power connector for next adder module.

JW1: Remove continuity jumper if there are any more adder modules installed.

JP1-JP8: Move jumpers from pins 1 and 2 to 2 and 3 to connect relay commons between two or more relays.

Kingfisher Company, inc. 81 Old Ferry Road - Lowell, MA 01854
 Phone: 978-596-0214 Fax: 978-596-0217 www.kfci.com

BLANK PAGE LEFT
INTENTIONALLY

Kingfisher Company, inc. 81 Old Ferry Road - Lowell, MA 01854
Phone: 978-596-0214 Fax: 978-596-0217 www.kfci.com